

QMS<sup>®</sup>

ISO 9001 : 2015  
ISO 14001 : 2015  
ISO 45001 : 2018  
REGISTERED

Certificate No:407742022

**P** **PREMIER**  
**PIPELINE** **LTD**  
INNOVATION, SAFETY AND SERVICE

Quality Spare Parts for  
**Concrete  
Equipment**



# **P** PREMIER PIPELINE LTD

INNOVATION, SAFETY AND SERVICE

**Premier Pipeline Ltd.**  
Howe Lane, White Waltham  
Maidenhead, Berkshire, SL6 3JP

**Tel: +44 (0)1189 343 999**

**[www.premier-pipeline.co.uk](http://www.premier-pipeline.co.uk)**  
**[sales@cps-pipeline.co.uk](mailto:sales@cps-pipeline.co.uk)**





## OUR OFFICIAL PARTNERS



**IVG Colbachini is an Italian company that manufactures rigid, mandrel rubber hoses.**

These hoses are suitable for conveying powder, granulated materials, liquids and gases. The hoses are made to fulfil the demanding standards of diverse industrial sectors, including oil and gas, food, chemical dredging, metallurgical, railway, construction and the nautical industry.

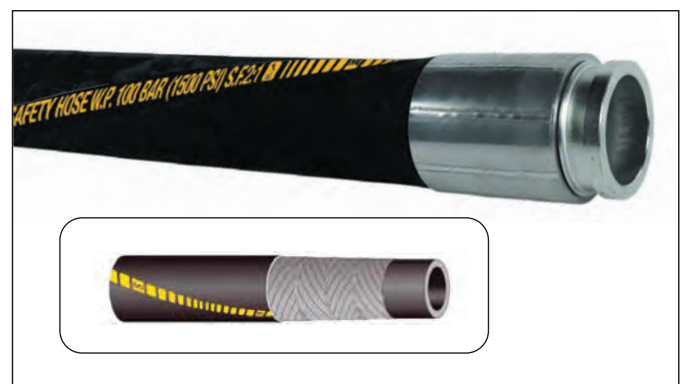
They can be supplied with a range of end fixtures and fittings and have a maximum continuous length of 120 metres.

Every hose is tailor-made for each customer and relies upon the expertise and experience of the highly skilled men and women with cutting-edge technology to produce them.

Established over 50 years ago, IVG Colbachini has achieved well-deserved recognition as one of the leaders in the manufacture of high-quality hoses with a global network and a presence in more than 100 countries, cementing its reputation as an international leader in the industry and are able to provide a rapid response to its customers' requirements and needs.

### **CONCRETE PUMPING BOOM END HOSE: PREMIER SAFETY HOSE 100 BAR**

This hose is used specifically as boom end hose on Truck / Mobile Pumps. It is reinforced with special materials and is designed to be anti-whip. Premier Safety Hose is only available through Premier Pipeline. Go to our website to see the blockage simulation video: [www.premier-pipeline.co.uk](http://www.premier-pipeline.co.uk)



# index



1

PUTZMEISTER

2

SCHWING



4

SERMAC



3

CIFA



5

TRUCKMIXER



6

BATCHING PLANT





TABLE OF CONTENTS

INDEX	4	WATER PUMP	37
TABLE OF CONTENTS	5	DIST. GEAR BOX & ACCS.	37
<hr/>			
<b>1. PUTZMEISTER</b>	<b>7</b>	REDUCTION PIPES	37
HOPPER	10	DELIVERY ELBOW	38
WEAR PARTS	11	CLAMPS	38
S VALVE ACCESSORIES	12	FLANGE & SEALING	39
PLUNGER CYLINDERS	13	FILTERS	39
HOPPER MIXER PARTS	14	REMOTE CONTROLS & VALVES	40
BEARING FLANGE ASSEMBLY & ACCS.	14	HYDRAULIC PUMPS	41
AGITATOR PADDLE & ACCS.	15	<hr/>	
MIXER SHAFTS	15	<b>3. CIFA</b>	<b>43</b>
FLAP ELBOW & ACCESSORIES	16	S -TUBE & WEAR PLATES	44
DELIVERY /MATERIAL CYLINDER	17	REAR HOUSING ASSEMBLY	45
CONNECTING RING	17	HOPPER MIXER PARTS & ACCS	46
MAIN PUMPING CYLINDERS	18	DELIVERY /MATERIAL CYLINDER	46
PISTON	18	MAIN PUMPING CYLINDERS	47
TRUNK SYSTEM & ACCS.	19	RUBBER PISTONS	47
DELIVERY ELBOW	19	HOPPER HYDRAULIC CYLINDER & ACCS	47
CLAMPS	20	DELIVERY ELBOW	48
FLANGE & SEALING	20	CLAMPS	48
FILTERS	21	<hr/>	
REMOTE CONTROLS & PARTS	22	<b>4. SERMAC</b>	<b>51</b>
RELAYS FOR CONTROL BOX	22	S-TUBE & WEAR PLATES	52
OIL COOLER ACCESSORIES	23	HOUSING PARTS	52
THERMOMETERS	23	CYLINDER & ACCS.	53
HYDRAULIC ACCUMULATOR & BLADDER	23	MAIN PUMPING CYLINDERS	53
HYDRAULIC PUMPS	24	PUMPING CYLINDER& PISTON RAM	53
DIST. GEAR BOX & ACCS.	25	HOPPER MIXER PARTS & ACCS.	54
SEAL KITS	26	DIST. GEAR BOX & ACCS.	54
HYDRAULIC VALVES & ACCESSORIES	27	WATER PUMP, ELECTRICAL PARTS,	55
WATER PUMPS	28	VALVES, FILTERS	55
<hr/>			
<b>2. SCHWING</b>	<b>31</b>	DELIVERY ELBOW& COUPLING	55
WEAR PARTS	32	<hr/>	
CARBIDE WEAR PARTS	32	<b>5. TRUCKMIXER</b>	<b>57</b>
PUMP-KIT HOPPER	33	WATER PUMP & ACCS.	58
ROCK VALVE & ACCS.	33	CONTROL BOX & ACCS.	59
HOPPER DOOR PARTS FOR SCHWING SP	33	CABLES	59
SLEWING CYLINDER & ACCS.	34	ROLLER & ACCS	60
DELIVERY / MATERIAL CYLINDER	34	CHUTE HANDLES	61
MAIN PUMPING CYLINDERS	35	MIXER FAN & PARTS	61
PISTON	35	MIXER GEARBOX, HYDRAULIC PUMP	61
AGITATOR PARTS	36	TRUCK MIXER SPARE PARTS & ACCS.	62
FLAT GATE VALVE	36	PROPELLER SHAFT	64
PLUNGER HOUSING	36	CEMENT TRUCK COMPRESSORS	64
<hr/>			
		<b>6. BATCHING PLANT</b>	<b>65</b>





**[WWW.PREMIER-PIPELINE.CO.UK](http://WWW.PREMIER-PIPELINE.CO.UK)**





**P** **PREMIER**  
**PIPELINE** **LTD**  
INNOVATION, SAFETY AND SERVICE



QUALITY AFTERMARKET SPARE PARTS  
TO FIT PRODUCTS FROM

**PUTZMEISTER**

[WWW.PREMIER-PIPELINE.CO.UK](http://WWW.PREMIER-PIPELINE.CO.UK)



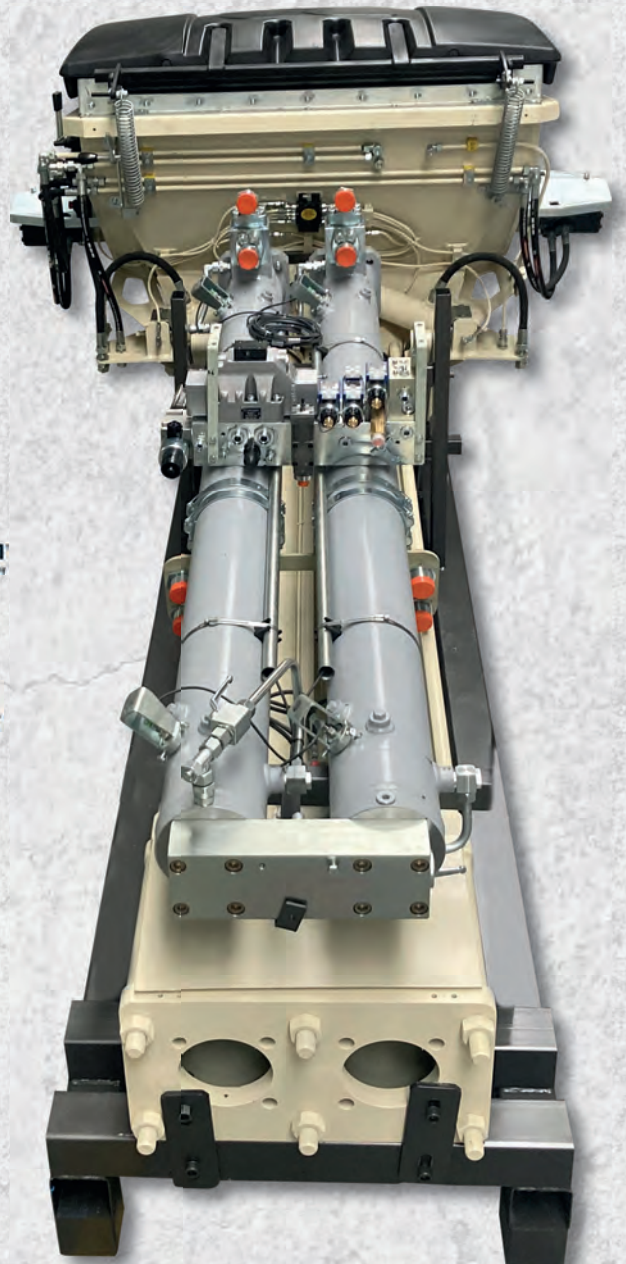
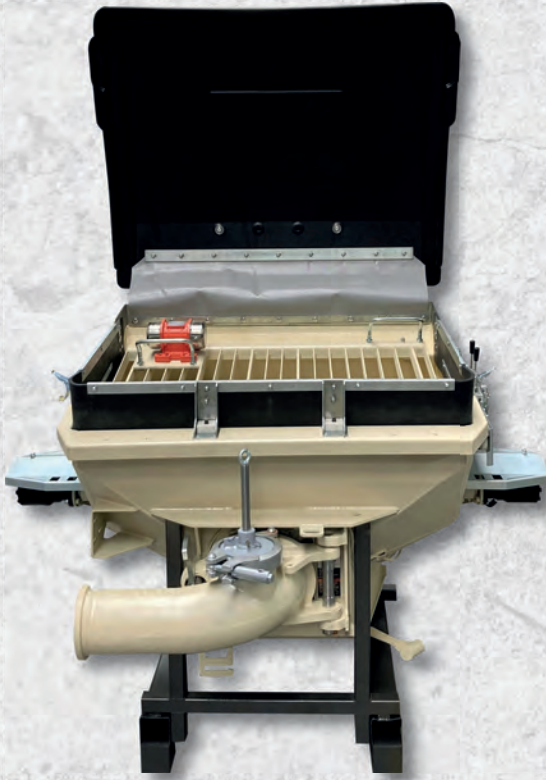


CORE PUMP

CITY PUMP

MOBILE PUMP

PUTZMEISTER

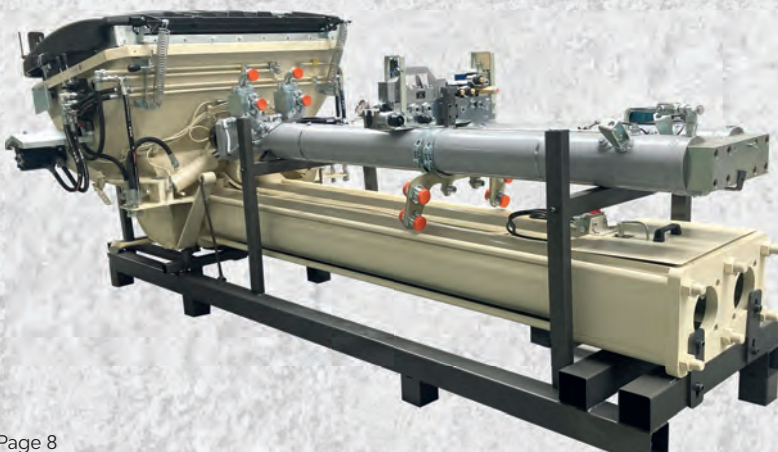


**PUMPING UNIT ASSY.**

Our core pumps have an extensive range of equipment as standard. With our wide range of special equipment, you can now adapt your services even better to the most diverse applications, and by doing so to the needs and requirements of your customers.

ASSOCIATED BRANDS

- 
- 
- 
- 
- 
- 
- 
- 
- 
- 
- 
- 
- 
- 
- 
- 
- 
- 
- 
- 
- 
- 
- 





Part No.	44830111	44830113	44830115	44830117	44830119
	CORE PUMP RS907	CORE PUMP RS909	CORE PUMP RS905	CORE PUMP RS605	CORE PUMP RS487
Core pump	2100/230	2100/230	2100/230	1400/200	1000/180
Hopper	907	909	905A	605A	487A
Grille	RS907	RS909	RS905	RS605	RS487
Splash guard	Plastic cover RS907-909	Plastic cover RS907-909	Splash guard RS905	Splash guard RS605	Splash guard RS400A
Hydraulic cylinder	2100-140/80	2100-140/80	2100-130/80	1400-110/63	1000-110/63
Delivery cylinder	Ø 230x2100	Ø 230x2100	Ø 230x2100	Ø 230x1400	Ø 180x1000
Delivery piston cpl.	SI Ø230-NBR	SI Ø230-NBR	SI Ø230-NBR	SI Ø230-NBR	Ø 180-NBR
Water box & cover	WK260/KP230	WK260/KP230	WK260/KP230	WK260/KP230	WK210 TK 2004
S-tube	S2318LSP9	S2318LSP9	S2018P9	S2015DN	S1812P
S-pipe drive	Ø 90	Ø 90 for RS909	Ø 80	Ø 80	Ø 80
Discharge support	Ø 220/270	Ø 220/270	Ø 220/270	Ø 220/270	Ø 165/210
Set of wear parts	Ø 230-260, N, DURO22	Ø 230-260, N, DURO22	Ø 200-260, N, DURO22	Ø 200-260, N, DURO22	Ø 180-160, N, DURO22
Plunger cylinder	160-60	160-60	160-60	160-60	160-60
Hydr. motor	OMH 500	B750	OMH 500	OMR 500	OMR 500
Hydr. control	24V; FFH	24V, FFH EL	24V; FFH	24V; FFH	12V- D08 HYDAC
Foldable elbow / Exit	ZXM150	ZXM150	ZXM150	SK150	5Z HD





**COMPLETE HOPPER RS905**

**Part No.** 44422179

**DETAILS**

- Hopper RS905 with S-Valve 2018N (hardfaced) • Set of wear plates 200-260 DURO 22 • Discharge support 220-270 • Swinging lever 80Q • Upper Housing assy 80Q • Agitator motor OMH 500 & motor covers • Set of agitator shaft & accessories • Agitator flange Cpl.60Q • Mixing Paddles (Hardfaced) • Grill & Safety switch • Vibrator 24V MV100 • Splash guard • Round cord & Slide assy • Foldable Elbow ZX150 & Accs. • Plunger Cylinder set. • Automatic grease pump & distributors • Manual Distributor block & grease pipes • Control Valves



**HOPPER CPL.**

**COMPLETE HOPPER RS907**

**Part No.** 44423904

**DETAILS**

- Hopper RS907 • S-Valve 2318N (hardfaced) • Set of wear plates 230-260 DURO 22 • Discharge support 220-270 Intermediate rings • Swinging lever 90Q • Upper Housing assy 90Q • Agitator motor OMH 500 & motor covers • Set of agitator shaft & accessories • Agitator flange Cpl.60Q • Mixing Paddles (Hardfaced) • Grill & Safety switch • Vibrator 24V MV100 Hopper plastic cover • Foldable Elbow ZX150 & Accs. • Plunger Cylinder set. • Automatic grease pump & distributors • Grease pipes & Oil hoses assembled • Control Valves

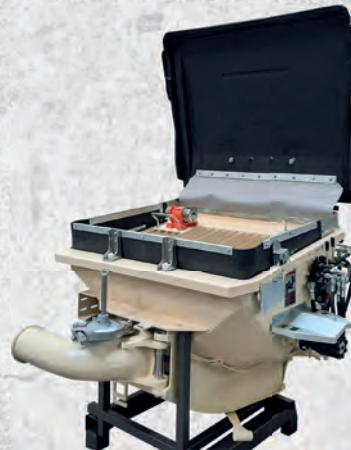


**COMPLETE HOPPER RS907A 230/280 TRV-20 CELL**

**Part No.** 44422601

**DETAILS**

- Hopper RS907 • S-Valve 2318N (hardfaced) • Set of wear plates 230-260 DURO 22 • Discharge support 220-270 • Connection brackets • Swinging lever 90Q • Upper Housing assy 90Q • Agitator motor OMH 500 & motor covers • Set of agitator shaft • Agitator flange Cpl.60Q • Mixing Paddles (Hardfaced) • Grill & Safety switch • Vibrator 24V MV100 & components • Hopper plastic cover • Round cord • Foldable Elbow ZX150 • Plunger Cylinder set. • Automatic grease pump & distributors • Grease pipes & Oil hoses assembled • Control Valves



**COMPLETE HOPPER RS909**

**Part No.** 44424009

**DETAILS**

- Hopper RS909 • S-Valve 2318N (hardfaced) • Set of wear plates 230-260 DURO 22 • Discharge support 220-270 • Intermediate rings assy. • Swinging lever 90Q • Upper Housing assy 90Q • Agitator motor B750 & motor covers • Set of agitator shaft • Agitator flange Cpl.60Q • Mixing Paddles (Hardfaced) • Grill, assembly components • Vibrator 24V MV100 • Hopper plastic cover • Round cord • Foldable Elbow ZX150 • Plunger Cylinder set. & cover • Automatic grease pump & distributors • Grease pipes & Oil hoses assembled • Cover security switch, components & Horn





## HOPPER

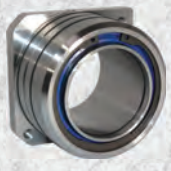
Item	Description	Part No.
Hopper (Empty)	RS905/907	<b>44421093</b>
Hopper (Empty)	RS909	<b>44421105</b>

## WEAR PARTS

Item	Description	Part No.
Spetacle Wear Plate	DURO 22	<b>44420005</b>
Spetacle Wear Plate	DURO 22	<b>44420343</b>
Spetacle Wear Plate	DURO 22	<b>44420453</b>
Spetacle Wear Plate	DURO 22	<b>44420369</b>
Spetacle Wear Plate	DURO 22	<b>44422033</b>
Spetacle Wear Plate	DURO 22	<b>44420075</b>
Spetacle Wear Plate	DURO 22	<b>44422101</b>
Spetacle Wear Plate	DURO 22	<b>44422103</b>
Spetacle Wear Plate	D220/270 HM	<b>44420079</b>
Spetacle Wear Plate	D230/260 HM	<b>44422107</b>
Spetacle Wear Plate	DURO 22	<b>44422109</b>
Spetacle Wear Plate	570 HM	<b>44153149</b>
Spetacle Wear Plate	540 HM	<b>44422107</b>
Spetacle Wear Plate	540 /DN200/260 -HM	<b>44422105</b>
Spetacle Wear Plate	DN230/260 540 HM	<b>44532892</b>
Spetacle Wear Plate	DN250/285 600 HM ILS	<b>44668524</b>
Spetacle Wear Plate	DN230/260 570 HM	<b>44895361</b>
Clamping Plate	DN220/270	<b>44420079</b>
Wear Insert F Ring	ND230/260 HM	<b>44420083</b>
Wear Ring	D180ZI200 HM	<b>44421098</b>
Wear Ring	ND Q200- HM	<b>44422111</b>
Wear Ring	D230ZA260 HM	<b>44950086</b>
Wear Ring	ND230ZA230 HM	<b>44422113</b>
Kidney Shaped Plate		<b>44286566</b>
Kidney Shaped Wear Plate		<b>44952199</b>
Wear Ring	ND250ZA270 HM ILS	<b>44668525</b>
Thrust Ring	DN250X270X32 NBR ILS	<b>44668526</b>
Thrust Ring	DN 200 NBR -TRUNK SYS.	<b>44420375</b>
Wear Ring	DURO 22	<b>44420009</b>
Wear Ring	DURO 22	<b>44420455</b>
Wear Ring	DURO 22	<b>44420371</b>
Wear Ring	DURO 22	<b>44422029</b>
Wear Ring	DURO 22	<b>44420373</b>
Wear Ring	DURO 22	<b>44420457</b>
Wear Ring	DURO 22	<b>44422029</b>
Wear Ring	ND230 HM	<b>44422113</b>
Wear Ring	ND230/260 HM	<b>44420083</b>
Thrust Ring	Q 230 NBR	<b>44420085</b>







## S VALVE ACCESSORIES

Item	Description	Part No.
S-Valve	2018N	44420001
S-Valve	2318N	44420073
S-Valve	S1812P Q80 X:180.0	44422285
S-Valve	S2015DN	44422001
S-Valve	2018P9 CP60	44422117
S-Valve	S1812D9 Q90 X:238.5	44422177
S-Valve	S2318D8 LS CPL Q80 X:238.5	44422579
S-Valve	S2018PN Q80-HARDFACED	44420001-HF
S-Valve	S2318 LS P9 Q90-(HARDFACED)	44420073-HF
S-Valve	S2318VP Q90	44421543
S-Valve	S2015DP	44473895
S-Valve	S2318N cpl.x238.5mm/794 G26	44980335
S-Valve	S2518ZW CPL X270.6 G26	44668522
S-Valve	CS2015	40427291
Transfer Tube	C-VALVE TMP-GEN.4	44822140
Transfer Tube	Ø220/270-ASSY.-GEN.3	44576831
Discharge Support	Ø220/270-ASSY.	44422013
Discharge Support	Ø200/250-ASSY.	44057580
Discharge Support	Ø165/210-ASSY.	44445051
Discharge Support	Ø165/270-ASSY.	44733019
Outer Housing	Ø220/270-ASSY.-GEN.3	44422120
Outer Housing	Ø220/270	44422007
Outer Housing	Ø165/210	44422035
Outer Housing	Ø200/250	44957579
Outer Housing	Ø165/270	44422121
Comp. Upper Housing	Q80	44420023
Comp. Upper Housing	Q90 GEN.1	44420093
Comp. Upper Housing	Q90 for RS909	44421103
Comp. Upper Housing	Q90 GEN.2	44146950
Comp. Upper Housing	Q100 ILS	44668568



**PLUNGER CYLINDERS**

Item	Description	Part No.
Plunger Cylinder	Q160-40	<b>44422123</b>
Plunger Cylinder	Q160-60	<b>44420061</b>
Plunger Cylinder	Q160-60	<b>44420063</b>
Plunger Cylinder	Q160-60	<b>44420141</b>
Plunger Cylinder	Q160-80	<b>44420115</b>
Plunger Cylinder	Q160-80	<b>44420133</b>
Plunger Cylinder	Q200-80	<b>44420109</b>
Plunger Cylinder	Q200-80	<b>44420121</b>
Switch Lever Shaft	D90mm	<b>44420091</b>
Switch Lever Shaft	D90mm	<b>44421539</b>
Switch Lever Shaft	D80mm	<b>44420015</b>
Swinging Lever	80/46	<b>44422191</b>
Swinging Lever	D100mm-ILS	<b>44668580</b>







### HOPPER MIXER PARTS

Item	Description	Part No.
Bottom Hopper Door		44420143
Bottom Hopper Door		44422125
Bottom Hopper Door O-Ring	Q250*15 Nbr 70	44420145
Threaded Bolt		44420149
Bock Right Hand Side		44420147
Bock Left Hand Side		44420147-1
Bottom Door Bushing	25x28x30	44422127
Hopper Grate	60 mm	44420055
Hopper Grate		44422129
Hopper Grate		44421601
Splah Guard Rubber		44422131
Torque Support		44420171
Mechanical Limit Switch		44420169
Transponder 24V		44422299
Control Block		44420173
Hydraulic Motor OMH 500		44420151
Hydraulic Motor Bucher B 540		44420157
Hydraulic Motor B 748		44421555
Shaft For Hydraulic Motor OMH 500		44420153
Shaft For Hydraulic Motor B 748/B 540		44420159

### BEARING FLANGE ASSEMBLY & ACCS.

Item	Description	Part No.
60 mm Bearing Flange Complete Assembly		44420175
Flange Bearing Hub	D60 with Groove	44420177
Bushing	60mmx65m- mx40mm DU-B	44420181
Rubber Disc	150mmx56mmx8mm	44420183
O-Ring	60mmx4mm	44422133
50 mm Bearing Flange Complete Assembly		44422135
Flange Bearing Hub	D50 with Groove	44420499
Bushing	50mm Plastic	44420501
Rubber Disc	50mm Plastic	44420503
O-Ring	50mmx5mm	44422137
40 mm Bearing Flange Complete Assembly		44422139
Flange Bearing Hub	D40 With Groove	44420441
Bushing	40mm Plastic	44420437
Rubber Disc	40 mm plastic	44420439
40 mm Bearing Flange Complete Assembly		44422141
Flange Bearing Hub	D40	44420433
Lip Bushing		44420435
Bushing	40mm Plastic	44420437
Rubber Disc	40mm Plastic	44420439
Flange		44421113



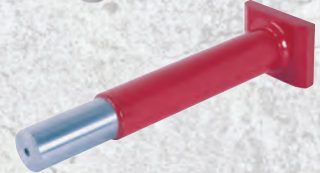
**AGITATOR PADDLE & ACCS.**

Item	Description	Part No.
Left Hand Side		44420191
Right Hand Side		44420191-1
Left Hand Side	Hard-faced.Used on all Hopper Models	44422143
Right Hand Side	Hard-faced.Used on all Hopper Models	44422145
Left Hand Side		44420431
Right Hand Side		44420429
Left Hand Side		44420507
Right Hand Side		44420505
Conveying Worm Left		44420491
Conveying Worm Right		44420493
Conveying Worm Left		44420497
Conveying Worm Right		44420495
Mixing Paddle, Right-Hand		44258503
Mixing Paddle, Left-Hand		44215860

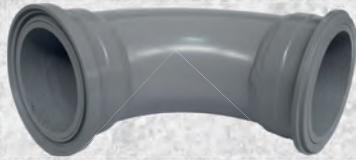


**MIXER SHAFTS**

Item	Description	Part No.
Mixer Shaft	85 cm	44420185
Mixer Shaft	D48x949	44420481
Mixer Shaft	D48X575	44420421
Mixer Shaft End	60mm	44420187
Mixer Shaft End	Q60X250	44420509
Mixer Shaft End	Q50	444420487
Mixer Shaft End	Q50 x285	44420427
Mixer Shaft End	Q50	44420485
Mixer Shaft End	Q40	44420483
Mixer Shaft End	D45mm x255mm	44421599
Washer		44420189







## FLAP ELBOW & ACCESSORIES

Item	Description	Part No.
Reduction Elbow ZXM 150		44420193
Reduction Elbow W/Out Port		44422147
Foldable Elbow Zxm150 W/Port - (CCL)		44480172
Sealing Cover		44420209
O-Ring	148mmx6mm	44422149
Clamp for Priming Port Flap Elbow		44420203
Clamp Coupling ZX_W6 HD		44420199
Clamp Coupling 6"		44420201
Bolt		44422151
Tie Rod		44420213
Mounting Bolt		44420211
Wedge		44420207
Wedge		44420205
6" Elbow ZXM/ZXV		44420195
6" Elbow		44420197
CCI Lined Elbow-ZXM/ZXV - DN150/6-90°		44480176



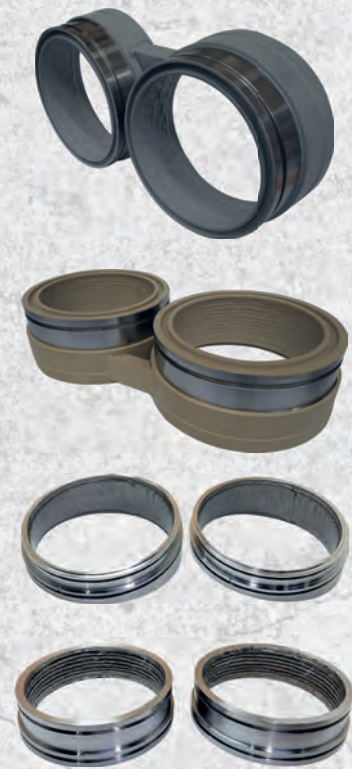
**DELIVERY / MATERIAL CYLINDER**

Item	Description	Part No.
Pumping Cylinder	200x1400	44420223
Pumping Cylinder	200x2100	44420225
Pumping Cylinder	230x1400	44420221
Pumping Cylinder	230x2100	44420219
Pumping Cylinder	250x2310	44420229
Pumping Cylinder	280x2355	44420227
Pumping Cylinder	150x700	44490828



**CONNECTING RING**

Item	Description	Part No.
Intermediate Ring		44420217
Intermediate Ring		44420087
Intermediate Ring		44422015
Intermediate Ring		44422017
Intermediate Ring		44422153
O-Ring	210mm x 8mm	44422155
O-Ring	235mm x 5mm	44422157
Intermediate Ring	Ø90	44422255
Intermediate Ring		44422533
Intermediate Ring	ND250/250 ZD266/274 ILS	44668527







### MAIN PUMPING CYLINDERS

Item	Description	Part No.
Drive Cylinder	110/63 mm -1400	44420259
Drive Cylinder	130/80 mm -2100	44420289
Drive Cylinder	140/80mm-2100	44420321
Drive Cylinder	110/63 mm -700	44490836
Cylinder Barrel		44420261
Cylinder Barrel		44420291
Cylinder Barrel		44420323
Cylinder Barrel	700	44490844
Pumping Cylinder Rod		44420263
Pumping Cylinder Rod		44420293
Pumping Cylinder Rod	700	44490839
Magnetic Switch	M12x1	44420351
Multiple Plug	75 cm	44420353-75
Multiple Plug	2 mt	44420353-2
Multiple Plug	3 mt	44420353-3

### PISTON

Item	Description	Part No.
Delivery Piston	D180mm	44420231
Delivery Piston	D200mm	44420233
Delivery Piston	D200mm	44421605
Delivery Piston	D230mm	44420235
Delivery Piston	D230mm	44420236
Delivery Piston Seal	D180mm	44420247
Delivery Piston Seal	D200mm	44420239
Delivery Piston Seal	D230mm	44420241
Delivery Piston Seal	D250mm	44420242RING
Delivery Piston Seal	D280mm	44420237
Guide Ring	D180mm	44420249
Guide Ring	D200mm	44420243
Guide Ring	D230mm	44420245
Guide Ring	D250mm	44420242
Guide Ring	D280mm	44420237RING
Piston Rod Flange		44420253
Piston Rod Flange		44420255
Spacer Flange		44420251
Spacer Flange		44420257



## TRUNK SYSTEM & ACCS.

Item	Description	Part No.
Trunk	B2314	44420367
Trunk	B2614 - R2002	44420451
Pressure Pipe	2163mm	44420389
Pressure Pipe		44420469
Thrust Ring	200mm	44420375
Wear Strip		44420377
Wear Strip		44420447
Wear Plate		44420379
Tightener		44420381
Pressure Plate		44420461
Wear Plate		44420465
Trunk Lever		44420383
Trunk Lever		44420475
Spacer Sleeve		44420385
Stud Bolt		44420387
Stud Bolt		44420467
Mounting Coupling 6"		44420395
Screw Coupling		44420399
Bearing Ring		44420397
Hydraulic Cylinder		44420401
Seal set		44420415

## DELIVERY ELBOW

Item	Description	Part No.
Delivery Elbow	10 Deg. 5,5"	44420515
Delivery Elbow	15 Deg. 5,5"	44420517
Delivery Elbow	20 Deg. 5,5"	44420519
Delivery Elbow	30 Deg. 5,5"	44420521
Delivery Elbow	45 Deg. 5,5"	44420523
Delivery Elbow	45 Deg. 5,5"	44420525
Delivery Elbow	90 Deg. 5,5"	44420527
Delivery Elbow	90 Deg. 5,5" R180	44420529
Delivery Elbow	90 Deg 5"	44420533
Delivery Elbow	90 Deg 5,5" R1000	44420531
Reduction	6"-5" 100mm	44420471
Reduction	6"-5,5" 200mm	44420473
Delivery Elbow Z Pipe		44420535
Reducing pipe	1200 mm 6" - 5,5"	44420511
Reducing pipe	1200mm 6" - 5,5"	44420513







## CLAMPS

Item	Description	Part No.
Clamp Coupling	5,5"	44420551
Mounting Coupling	5,5"	44420553
Screw Coupling	5,5"-4 Bolt	44420479
Screw Coupling	5,5"	44420555
Screw Mounting Coupling	5,5"	44420557
Clamp Coupling	5,5"	44420559
Mounting Coupling	6"	44420561
Screw Coupling	6"	44420563
Clamp Coupling	6"	44420199
Clamp Coupling	6"	44420201
Clamp Coupling		44420203
Screw Coupling	6"	44420399
Mounting Coupling	6"	44420395
Mounting Coupling	Right	44421635
Mounting Coupling	Left	44422159
Mounting Coupling	SK-H 125/5,5"	44422183
Mounting Coupling	SK-H 125/5,5" ND	44422185
Mounting Coupling	SK-H 125/5,5" ND	44422187
U- Shapped Support	5,5"	44420569
Clamp		44420567
Tightening Strap	5,5"	44420565
Double Boom Clamp		44421637
Hose Clamp		44421631
Automatic Clamp for End Hose		44421633
Circilip		44421639

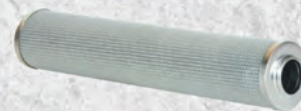
## FLANGE & SEALING

Item	Description	Part No.	
Sealing	6"	44420541	
Sealing	5,5"	44420537	
Sealing	5,5"	44420539	
Sealing	4,5"	44420545	
Sealing	4"	44420543	
Flange Inserted	Front Of The Pipe	5,5"	44420547
Flange Inserted	Top Of The Pipe	5,5"	44420549
Flange Inserted	Front Of The Pipe Twin Type	5,5"	44422161

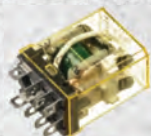


**FILTERS**

Item	Description	Part No.
Suction Filter Housing		<b>44420571</b>
Suction Filter Housing		<b>44420573</b>
High Pressure Filter	110L/Min 400 bar without Insert	<b>44420575</b>
Filter Element for Suction Filter	Used for Suction Filter 2x1" -2 x1,5" on BSF Units	<b>44420577</b>
Suction Filter Element		<b>44420579</b>
High Pressure Filter Element	110L/Min DP >= 50 bar	<b>44420581</b>
Filter Element	Used on TTS and TVS Units	<b>44420583</b>
Filter Element		<b>44420585</b>
Air Filter Complete Set		<b>44420587</b>
Filter Element		<b>44420589</b>
Filter Element		<b>44420591</b>
Filter Element	Used for Air Filter	<b>44420593</b>
Filter Element	Used for Suction Filter 2x1" -2 x1,5" on BSF Units	<b>44420595</b>
Filter Element	Used for Suction Filter 2x1" -2 x1,5" on BSF Units	<b>44420597</b>
Filter Element		<b>44420599</b>
Suction Filter Element		<b>44420601</b>
High Pressure Filter Element	10 u Absolut 40m Class	<b>44420603</b>
High Pressure Filter Element	80 L/Min DP =20 bar	<b>44420605</b>
Filter Element	Used for BSA and TVS Units	<b>44421499</b>
Filter Element for Return Suction Filter		<b>44421493</b>
Filter Element for Suction Filter	110 l/min , x=322,5 mm	<b>44421611</b>
Air Filter	Used on all BSF Units	<b>44422163</b>
Filter Cartridge		<b>44420607</b>







## REMOTE CONTROLS & PARTS

Item	Description	Part No.	
	Radio Remote Control ,Prop	44420609	
	Radio Remote Control ,Prop	44420611	
	Small Switch Protection Cap	44420613	
	LG Switch Protection Cap	44420615	
	Joystick Bellows	44420617	
	Star Handle Switch	44420619	
	Star Handle Switch	44420621	
	Star Handle Switch	44420623	
	Star Handle Switch	44420625	
	Housing Part	44420627	
	Housing Part	44420629	
	Battery	2x 2100 Ah	44420631
	Charging Set		44420635
	Antenna	416-419/430-440MHz	44420637
	Antenna	900 MHz FL30	44420639
	Antenna		44420641

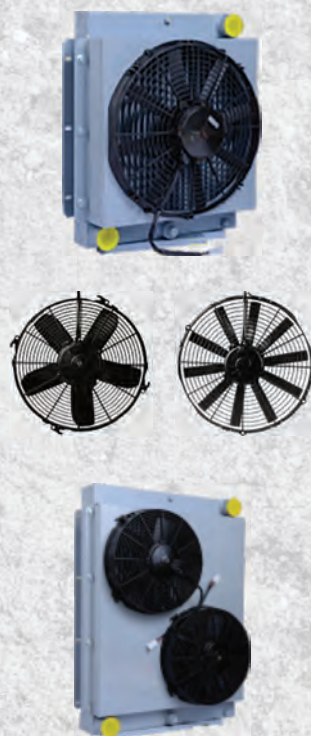
## RELAYS FOR CONTROL BOX

Item	Description	Part No.	
	Relay	24 V	44420703
	Relay	24 V ,10/20A	44420705
	Relay	24 V 40A	44420707
	Relay		44420709
	Relay	24 VDC	44420711
	Relay D3		44420713
	Socket for Man Relay		44420715
	Plug In Socket 5 Pol		44420717
	Switchbox	24V-DC	44420719
	Relay	24 V 1 Changer	44420721
	Relay	24 VDC	44420723
	Relay	24 V For Pump on and off	44420725
	Step Relay	24 VDC	44420727
	Step Relay	24 V	44420729
	Relay Module	24V	44420731
	Plug Socket Grey		44420733
	Relay		44420735
	Poh Reverse Electronic	10-32 V	44420737



**OIL COOLER ACCESSORIES**

Item	Description	Part No.
Oil Radiator	24 V	<b>44420745</b>
Replacement Fan for Hydraulic Oil Cooler	24 V	<b>44420747</b>
Electric Motor Fan	24 V	<b>44420749</b>
Electric Motor Fan	24 V	<b>44420751</b>
Oil Radiator	24 V	<b>44420753</b>
Fan Motor for Oil Cooler		<b>44421591</b>



**THERMOMETERS**

Item	Description	Part No.
Temperature Transmitter 55°	M14X1,5 mm	<b>44420755</b>
Temperature Transmitter 50- 55°	M14X1,5 mm	<b>44420757</b>
Temperature Transmitter 90°		<b>44420759</b>
Temperature Transmitter 90°	M14X1,5 mm	<b>44420761</b>
Temperature Transmitter 90°	M14X1,5 mm	<b>44420763</b>
Temperature Transmitter 70°	M14X1,5 mm	<b>44421597</b>

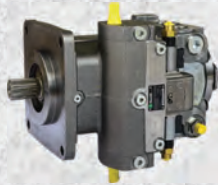


**HYDRAULIC ACCUMULATOR & BLADDER**

Item	Description	Part No.
Hydraulic Accumulator	4 OL	<b>44420765</b>
Bladder	4 OL	<b>44420767</b>
Hydraulic Accumulator	6 OL	<b>44420771</b>
Bladder	6 OL	<b>44420773</b>
Hydraulic Accumulator	10 OL	<b>44421041</b>
Bladder	10 OL	<b>44421043</b>







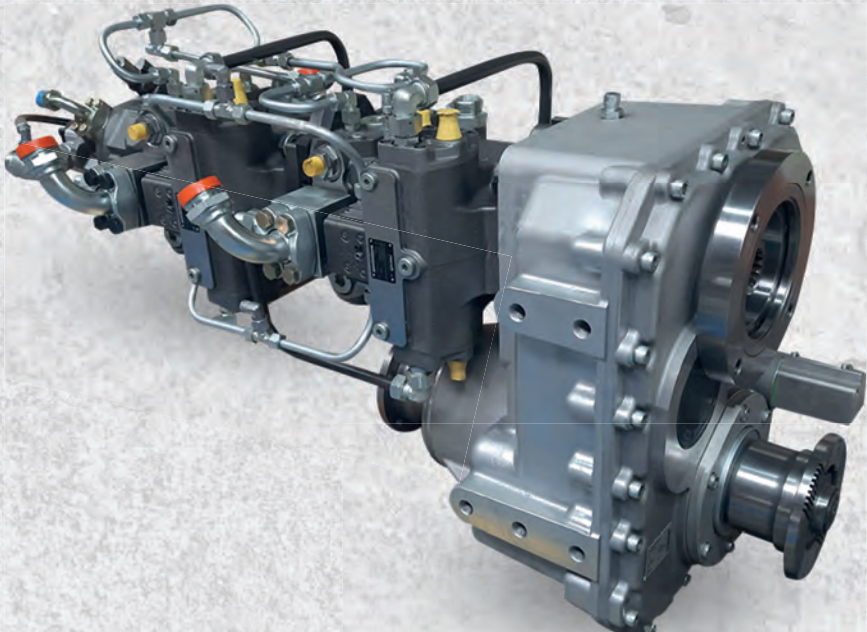
## HYDRAULIC PUMPS

Item	Description	Part No.
Hydraulic Pump	R A4VG125HD	44420901
Hydraulic Pump	R A4VG125EP	44421549
Hydraulic Pump	R A4VG180HD	44421147
Hydraulic Pump	R A4VG110EP	44421551
Hydraulic Pump	R A4VG145 BR40	44421553
Hydraulic Pump	R A10V018(13)DR	44421559
Hydraulic Pump	R A10V28(13)DR	44420903
Hydraulic Pump	R 14,0 HY/ZFS 11/14	44420905
Hydraulic Pump	L A7V28(24)DR	44420907
Hydraulic Pump	L KF-A2FO32	44420909
Hydraulic Pump	A 2F016/61L-PAB06	44420911
Hydraulic Pump	A4FO28	44421561
Hydraulic Motor	R 160,0 140 (175) BAR	44420913
Hydraulic Motor		44420915
Hydraulic Motor	A2F16 A2FM16/61W	44421151
Hydraulic Motor		44421557
Hydraulic Motor		44421563
Hydraulic Motor	5,5cm <sup>3</sup>	44420921



**DIST. GEAR BOX & ACCS.**

Item	Description	Part No.
G64+A4VG125EP+125HD+V028+14Cmm		44930113
Distributor Gear Box	G64	44420937
Distributor Gear Box	G64C	44422165
Distributor Gear Box	G61	44422169
Housing for G61 Gear Box	G61	44421641
Sliding Clutch		44420939
Sliding Clutch		44421097
Switch Fork		44420941
Switch Fork		44421095
Piston		44420943
Coupling Piece		44420945
Splined Shaft		44420947
Splined Shaft		44421537
Switching Cylinder		44421501
Clutch Shaft		44421643
Clutch Shaft		4442647
Guide		44421651
Intermediate Shaft		44421531







**SEAL KITS**

Item	Description	Part No.
Seal Kit	115/70	44420979
Seal Kit	125/70	44420981
Seal Kit	125/80	44420983
Seal Kit	125/80	44420985
Seal Kit	165/105	44420987
Seal Kit	180/105	44420989
Seal Kit	180/125	44420991
Seal Kit	200/125	44420993
Seal Kit	250/180	44420995
Seal Kit		44420997
Seal Kit		44420999
Seal Kit		44421001
Seal Kit	165/80	44421003
Seal Kit	225/125	44421005
Seal Kit	225/140	44421007
Seal Kit	320/180	44421009
Seal Kit	280/180	44421011
Seal Kit	200/125	44421013
Seal Kit	200/125	44421015
Seal Kit		44421017
Seal Kit		44421019
Seal Kit	165/105	44421021
Seal Kit	180/125	44421023
Seal Kit		44421025
Seal Kit		44421027
Seal Kit	80/63	44421029
Seal Kit		44421031
Seal Kit		44421033
Seal Kit	80/63	44421035
Seal Kit	50/40	44421037
Seal Kit		44421039
Seal Kit		44421045
Seal Kit		44421051
Seal Kit		44421053
Seal Kit		44421055
Seal Kit	80/50	44421057
Seal Kit		44421059
Seal Kit		44421061
Seal Kit		44421063
Seal Kit		44421077
Seal Kit	225/125	44421079
Guide Ring		44421047
Guide Ring		44421049
Guide Ring	63x24	44421075

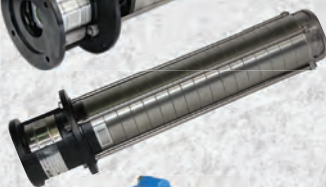


**HYDRAULIC VALVES & ACCESSORIES**

Item	Description	Part No.
Direct.contr.block right 4+V		44423000
Direct.contr.block left 4+V		44421621
Direct.contr.block left 5+V		44423002
Direct.contr.block right 5+V		44423004
Control block 24V		44423006
Solenoid 24V		44423008
Boom control block HHVP6-24V		44421165
Boom control block HHVP7-24V		44421471
Input module f.con.pump		44421477
Hydr. valve prop. 24V; 10/10 l/min.		44423010
Hydr. valve prop. 24V; 40/63 l/min.		44423012
Hydr. valve prop. 24V; 25/40 l/min.		44423014
Hydr. valve prop. 24V; 16/25 l/min.		44423016
Solenoid 24V		44420809
Lever housing		44421489
Seal set		44421051
Seal set		44421053
Double flow contr.valve		44421161
Double flow contr.valve 180bar		44423016
Shutoff monobloc 350/375 16 LT E.6		44420883
Shutoff monobloc 350/370 7 LT D.6		44420897
Shutoff monobloc 200/225 10 LT E.8		44420889
Hydr. control 24V; FFH		44423018
4/3-way valve		44420781
Output regulation, mot. 24V		44421627
Control press.regulator		44421625
Pressure limiting valve		44423020
4/3-way valve 24V 4 WE 6 J62		44420791
4/2-way valve 24V 4 WE 6 Y62		44420785
4/2-way valve 24V 5-4 WE 10Y		44420787
Solenoid coil 24V		44421149
Solenoid coil 24V		44420793
Pressure limiting valve		44423022
Throttle valve		44421137
Ball cock DN6		44423024
4/3-way valve		44423026
Output regulation, prop. 24V		44423028
Solenoid coil 24V		44423030
4/2-way valve NG10 320bar		44420787
4/3-way valve 4 WE 6 G62		44420783







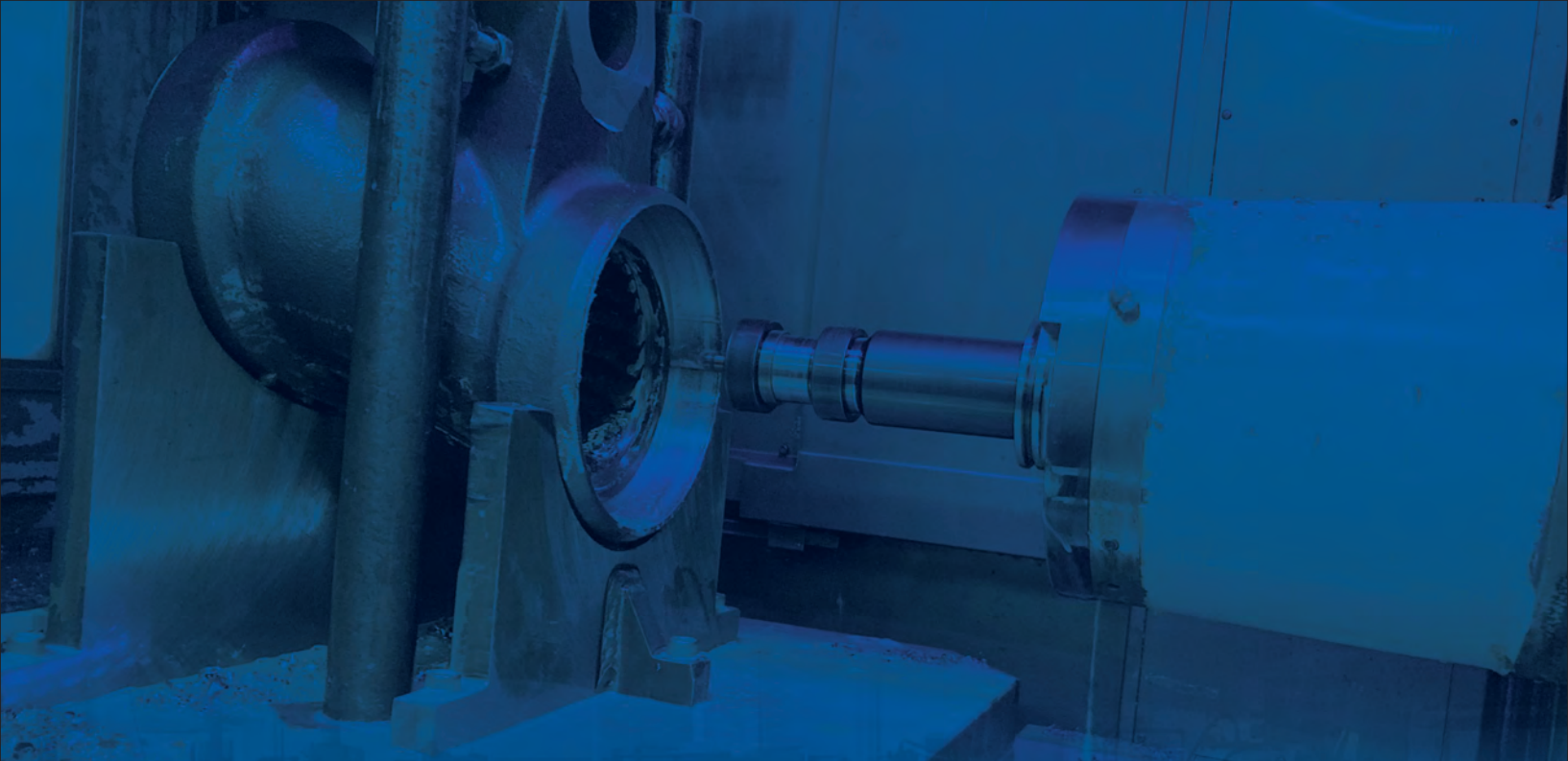
## HYDRAULIC VALVES & ACCESSORIES

Item	Description	Part No.
	4/2-way valve 24V 4 WE 6 Y22	44420789
	4/3-way valve	44421521
	4/3-way valve	44423032
	4/3-way valve	44423034
	Pressure limiting valve 210bar	44420813
	Pressure limiting valve 140bar	44420815
	Regulator	44423036
	Lubricant distributor VSKV4-D	44420357
	Pressure limiting valve	44423038
	Pressure transducer	44421581
	Temperature transmitter -25°...+100°C; 1/4	44423040
	Temperature transmitter -1...+1 bar	44423042
	Temperature transmitter -1...+9 bar	44421583
	Cylinder kit for pv24	44423044
	Assembly kit charge pump 25 cm <sup>3</sup>	44423046
	Pressure plate	44423048
	Rotary kit DPV25	44423050
	Charge pump DPV25	44423052
	Valve plate DPV25	44423054
	Rotary shaft seal 60x106x7/5	44423056
	Securing ring 106 x 4	44423058
	Rotary shaft seal 55x90x7/5	44423060
	Securing ring 90 x 4	44423062

## WATER PUMPS

Item	Description	Part No.
	Water Pump CRK 4/160 Complete	Grundfoss Type 44420931
	Water Pump CRK 4/160 W/Out Motor	Grundfoss Type 44420933
	Water Pump CDLK - 4/160 Complete	CNP Type 44423064
	Water Pump CDLK - 4/160 W/Out Motor	CNP Type 44423066
	Water Pump HW 520	Hypro Type 44410433





**[WWW.PREMIER-PIPELINE.CO.UK](http://WWW.PREMIER-PIPELINE.CO.UK)**







[WWW.PREMIER-PIPELINE.CO.UK](http://WWW.PREMIER-PIPELINE.CO.UK)





**P** **PREMIER**  
**PIPELINE LTD**  
INNOVATION, SAFETY AND SERVICE

2

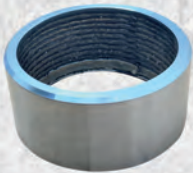


QUALITY AFTERMARKET SPARE PARTS  
TO FIT PRODUCTS FROM

**SCHWING**

[WWW.PREMIER-PIPELINE.CO.UK](http://WWW.PREMIER-PIPELINE.CO.UK)





## WEAR PARTS

Item	Description	Part No.
Base Plate	DN 180/200/230	44410001
Base Plate	DN 250	44410003
Wear Ring Insert	DN 250 Casting	44410005
Wear Plate	DN 200 (8") Casting	44410007
Wear Plate	DN 230(9") Casting	44410009
Wear Ring Insert	DN 180 Inlet side , Casting	44410011
Housing Lining	DN 180	44410041
Housing Lining	DN 135	44410043
Wear Ring	DN 210	44410013
Wear Ring	DN 220	44410015
Wear Ring	DN 180	44410017
Wear Ring	DN 165	44410019
Wear Ring	DN 230	44410021
Cover		44410023
Bushing Steel		44410025
Sealing Cover		44410027
Transition Piece	DN 250 /220	44410029
Transition Piece	DN 230/210	44410031
Transition Piece	DN 200/200	44410033
Bearing Bushing	D 95/108X70 With grease groove	44410035
Bearing Bushing		44410037
Bearing Bushing	D 70/85X57	44410039
Cover Lining		44410045
Cover Lining	DN 150	44430477
Support Bushing		44410047
Support Bushing For Housing		44410049

## CARBIDE WEAR PARTS

Item	Description	Part No.
Base Plate	DN 250 (10")	44410887
Base Plate	DN 180/200/230	44410889
Wear Insert	DN 220 ,Right Hand Side	44410891
Cutting Ring	DN 210	44410893
Wear Insert	DN 230	44410895
Wear Insert	DN 220 ,Left Hand Side	44410897
Cutting Ring	DN 220	44410899
Cutting Ring	DN 230	44410905
Wear Plate Large	9"	44410901
Wear Plate Large	10"	44410903
Wear Plate Small	9"	44410907
Wear Plate Small	10"	44410909



**PUMP KIT HOPPER**

Item	Description	Part No.
Rock Valve Unit ASSY.	DN 250/220/180	44411140
Rock Valve Unit ASSY.	DN 230/210/180	44411150
Housing	DN 250/220/180	44411142
Housing	DN 230/210/180	44411152
Cover	DN 230/210/180	44411145

**ROCK VALVE & ACCS.**

Item	Description	Part No.
Rock Valve	DN 220/180 B-Rock	44410061
Rock Valve	DN 210/180 M-Rock	44410063
Rock Valve	DN 210/180	44410065
Rock Valve	DN 210/180 L	44410881
Rock Valve	DN 165/135	44410911
Rock Valve	DN 165/135 Short	44410912
Slewing Shaft	B- Rock Long	44410067
Slewing Shaft	M- Rock	44410069
Slewing Shaft		44410071
Slewing Shaft		44410883
Flange Hub		44410885
Kidney Seal	DN 180	44410073
Kidney Seal	DN 135	44410075
Kidney Seal	DN 150	44410077
Kidney Seal	DN 150 (Hard Metal Part Only)	44410089
Pressure Spring	DN 210	44410079
Pressure Spring	DN 220	44410081
Pressure Spring	DN 230	44410083
Pressure Spring	DN 165	44410085
Back Up Ring	DN 210	44410087
Back Up Ring	DN220	44410091

**HOPPER DOOR PARTS FOR SCHWING SP**

Item	Description	Part No.
Locking Cap	DN 250	44410093
Locking Cover		44410095
Sealing Ring	DN 250	44410097
Sealing Ring	DN 180	44410099
Sealing Ring	L- Rock	44410101
Clamp Piece	Right	44410103
Clamp Piece	Left	44410105







**SLEWING CYLINDER & ACCS.**

Item	Description	Part No.
Slewing Cylinder	80/45 x185 Long	44410121
Slewing Cylinder	80/45x185 Short	44410123
Slewing Cylinder Single Action		44410124
Slewing Cylinder New Generation	100/65X350	44411099
Bolt	45x124	44410107
Cover		44410109
Shackle	D 8X40/50-13	44410111
Ring	A 9x45,5/51	44410113
Clamp	D 85	44410115
Bushing		44410117
Slewing Lever	DN 210/180	44410119
Slewing Lever Wp Dual		44419565
Slewing Lever Single 45ER		44410118
Cylinder Support		44410125
Slewing Pivot		44410127
Slewing Pivot		44410129
Bolt		44410131
Cylinder Pipe		44410133
Protecting Tube		44410135
Bolt		44410137
Cylinder Head		44410139
Cylinder Head		44410141
Tension Ring		44410143
Piston Rod		44410145
Rod Eye		44410147
Seal set		44410151
Valve Plug	M 20X1,5 WD	44410153

**DELIVERY / MATERIAL CYLINDER**

Item	Description	Part No.
Pumping Cylinder	180X1518	44410159
Pumping Cylinder	200X2125	44410161
Pumping Cylinder	200X1600	44410163
Pumping Cylinder	230X2133	44410165
Pumping Cylinder	250X2500	44410167
Pumping Cylinder	180X1400	44410169
Pumping Cylinder	230X2000	44410171



## MAIN PUMPING CYLINDERS

Item	Description	Part No.
Drive Cylinder	120/80x2000	44410223
Drive Cylinder	125/80x2000	44410225
Drive Cylinder	130/80x2000	44410227
Drive Cylinder	120/85x2500	44410229
Drive Cylinder	110/63	44410231
Drive Cylinder	110/63	44410233
Drive Cylinder	120/80x2000	44410235
Drive Cylinder	125/80x2000	44410237
Drive Cylinder	130x2000	44410239
Drive Cylinder	120/145x2500	44410241
Pumping Cylinder Rod	80x 1892	44410243
Pumping Cylinder Rod	80x2292	44410245
Pumping Cylinder Rod	85x2792	44410247
Pumping Cylinder Rod	63x1810	44410249
Pumping Cylinder Rod	75x2292	44410251



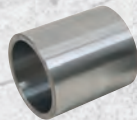
SCHWING

## PISTON

Item	Description	Part No.
Delivery Piston	D180mm	44410207
Delivery Piston	D200mm	44410209
Delivery Piston	D230mm	44410211
Delivery Piston	D200mm	44410213
Delivery Piston	D200mm	44410215
Delivery Piston	D230mm	44410217
Delivery Piston	D250mm	44410219
Delivery Piston	D250mm	44410221
Connection Ring		44410199
Connection Ring		44410201
Connection Ring		44410203
Seperate Piston DN 230	D230mm	44410985
Seperate Piston DN 250	D250mm	44410987







## AGITATOR PARTS

Item	Description	Part No.
Agitator Shaft		44410301
Agitator Shaft		44410303
Agitator Shaft		44410305
Agitator Shaft		44410307
Hydraulic Motor BREL 470	BUCHER/WHITE HYD.	44410313
Hydraulic Motor OMH 500 / MS	OEM-M/S	44410319
Hydraulic Motor Shaft	BREL 470	44410315
Hydraulic Motor Shaft	OMH 500	44410321
Bearing Assembly	Drive Side	44410331
Bearing Assembly	Long Shaft	44410917
Bearing Assembly	Fixed Support	44410333
Support		44410335
Flanged Shaft		44410337
Flanged Shaft - Long	135 mm	44410919
Bearing Cover New		44410921
Sealing Cone	D60	44410339
Bushing	D 60/68X23	44410341
Support		44410343
Supporting Cover		44410345
Flanged Shaft		44410347
Disc	85x10	44410349
Flange Bushing	D60/72/85X50/6	44410351
Disc	D60/95X5	44410353
Flanged Bearing	Closed	44410355
Flanged Bearing	Open	44410357
Sealing Cone	D40	44410359

## FLAT GATE VALVE

Item	Description	Part No.
Flat Gate Valve	DN 180/55/25	44410369
Flat Gate Valve	DN 210	44410371
Sheel	DN 180/55/25	44410373
Sheel	DN 210	44410375
Guide Sleeve		44410377

## PLUNGER HOUSING

Item	Description	Part No.
Plunger Housing	Short	44410379
Plunger Housing	Long	44410381



## WATER PUMP

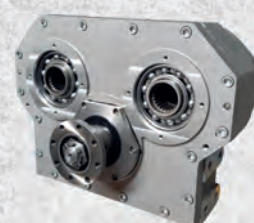
Item	Description	Part No.
Roller Water Pump	7560 C-KMT	44410433
Roller Water Pump	7560 N-KMT	44410439
Roller Water Pump	1502 C-KMT	44410445
Teflon Seal Set	7560	44410435
Teflon Seal Set	1502	44410447
Clutch		44410443
Clutch		44410449

## DIST. GEAR BOX & ACCS.

Item	Description	Part No.
Distributor Gear Box		44410457
Distributor Gear Box		44410457-2
Distributor Gear Box		44410457-3
Distributor Gear Box	Housing	44410951
Distributor Gear Box	Housing	44410953
Gear Shift Fork With Rod		44410459
Hollow Shaft		44410477
Drive Flange		44410479
Coupling	17.5x50x48	44410481
Coupling	22.5x50x48	44410483
Coupling	31.5x50x50	44410485
Coupling	36x50x50	44410487
Megi Cone		44410489
Drive Pinion 18 Teeth		44410491
Mounting Flange		44410493
Drive Toothed Wheel 73 Teeth		44410495
Hollow Shaft		44410497

## REDUCTION PIPES

Item	Description	Part No.
Reduced Pipe	DN 150/125 1240mm	44410541
Reduced Pipe	DN 150/125 1460mm	44410543
Reduced Pipe	DN 150/125 1500mm	44410545
Reduced Pipe	DN 180/150 1500mm	44410547
Reduced Pipe	DN 150/125 1550mm	44410549
Reduced Pipe	DN 150-150X1600 mm	44410553
Reduced Pipe	DN 150/125 1600mm	44410555
Reduced Pipe	DN 150/125 2540mm	44410559
Reduced Pipe	DN 150/125 3000mm	44410561
Reduced Pipe	DN 150/125 2500mm	44410563



**SCHWING**



CCL

CAST MANGANESE



**DELIVERY ELBOW**

Item	Description	Part No.
Twin Elbow 90 (SUPER 2000)	90 Deg. 5,5"	44410955
Twin Elbow 45 (SUPER 2000)	45 Deg.5,5"	44410957
Twin Elbow 30 (SUPER 2000)	30 Deg.5,5"	44410959
Twin Elbow 20 (SUPER 2000)	20 Deg.5,5"	44410961
Delivery Elbow (GXMN13CR2)	14 Deg.5,5"	44410565
Delivery Elbow (GXMN13CR2)	20 Deg.5,5"	44410567
Delivery Elbow (GXMN13CR2)	45 Deg.5,5"	44410569
Delivery Elbow (GXMN13CR2)	90 Deg. 5,5"	44410571
Delivery Elbow (GXMN13CR2)	45 Deg.6"	44410573
Delivery Elbow (GXMN13CR2)	32,5 Deg.5,5"	44410575
Delivery Elbow (GXMN13CR2)	50 Deg.6"	44410577
Delivery Elbow (GXMN13CR2)	32,5 Deg.6"	44410579
Delivery Elbow With Pipe		44410581
Delivery Elbow With Pipe		44410583
Connection Bend	14 Deg DN 180	44410511
Tapered Bend	90 Deg DN 180/150	44410513
Delivery Elbow	DN 150	44410515
Delivery Elbow	DN180	44410517
Delivery Elbow	DN180	44410519
Delivery Elbow	90 Deg.5,5" R1000	44410625

**CLAMPS**

Item	Description	Part No.
Clamp Coupling	5,5"	44410611
Screw Coupling	5,5"	44410613
Screw Clamp With Support	5,5"	44410615
Cup Type Coupling With Wedge	5,5"	44410617
Cup Tension Clamp With Wedge Type Lock	DN 150	44410525
Cup Type Coupling	DN 180	44410527
Round Steel Stirrup		44410619
Spring Plug		44410623
Safety Device For Cup Type Clamp		44410629
Wedge		44410529
Threaded Bolt		44410531
Screw	M 36x70 Din 933	444105311
Holding Bolt		44410533
Holding Bolt		44410535
Hinge		44410537





## FLANGE

Item	Description	Part No.
Flange	SK75 /3.0 x40 ( V STYLE)	44423114
Flange	SK100/4.0 x35	44501961
Flange	SK100/4,5 x35	44420548
Flange	SK125/5,5 x35	44420547
Flange	SK125/5,5 x35 (INSERTED ON THE PIPE)	44420549
Flange	SK125/5,5 x50( DECK PIPE)	44410599
Flange	SK150/6.0 x35	44668286
Flange	ZXM125/5,5 -F	44668287
Flange	ZXM125/5,5 -M	44668288
Flange	ZXM150/6.0 -F	44668289
Flange	ZXM150/6.0 -M	44668290
Flange	ZXV 125 5" -M FOR STANDART ZX PIPE WELD.	44489565
Flange	ZXM125 5" -F FOR STANDART ZX PIPE WELD.	44489566
Flange	SK125/5,5 x45 -TWIN LAYER (DECK PIPE)	44422161
Flange	SK125/5,5 x45 -TWIN LAYER( BOOM PIPE)	44987114
Flange	2" HDR	44668290
Flange	2.5" HDR	44668291
Flange	3" HDR	44668292
Flange	4" HDR	44668293
Flange	5" HDR	44668294



SCHWING

## FILTERS

Item	Description	Part No.
Filter Element		44410631
Filter Element		44410633
Filter Element		44410635
Filter Element		44410637
Filter Element		44410639
Filter Element		44410641
Filter Element		44410643
Filter Element		44410645
Filter Element		44410647
Filter Element		44410649
Filter Element		44410651
Filter Element		44410653
Filter Element		44410655
Filter Element		44410657
Filter Element Complete		44410659







## REMOTE CONTROLS & VALVES

Item	Description	Part No.
Radio Remote Control Transmitter	FW 26-2	44410781
Radio Remote Control Transmitter	FW 28-2	44410783
Carrying Belt	3040x40x1,5	44410785
Carrying Belt		44410787
Battery		44410789
Battery		44410791
Solenoid Valve		44410793
Insert Housing		44410795
Antenna		44410797
Antenna Transmitter		44410799
Potentiometer		44410801
Knob		44410803
Potentiometer		44410805
Fixture Uni Clip		44410807
Led Holder With	10mm	44410809
Flip Switch	T-O-T	44410811
Flip Switch	R-O-R	44410813
Switching Element Bottom Part		44410815
Mushroom Head Push Button Top		44410817
Emergency /Off Button		44410819
Emergency /Off Button		44410821
Concertina Walls		44410823
Flip Switch	1-0	44410825
Flip Switch	1-0-1	44410827
Flip Switch	1-0-1	44410829
Flip Switch	1-0-1	44410831
Bellows For Flip Switch With	13mm	44410833
Flip Switch	1-0-1 2 Poles	44410835
Flip Switch	0-T 1 Poles	44410837
Flip Switch	0-1	44410839
Flip Switch		44410841
Flip Switch		44410843
Potentiometer For Control Switch		44410845



## REMOTE CONTROLS & VALVES

Item	Description	Part No.
Micro Switch Prop For Control		44410847
Micro Switch For		44410849
Rubber Toggle		44410851
Control Switch		44410853
Joy Stick	1 Axle	44410855
Joy Stick	2 Axle	44410857
Concertina Walls For Joystick		44410859
Printed Circuit Board	PS 0037	44410861
Printed Circuit Board		44410863
Joy Stick	2 Axle	44410865
Bellows	FW 24-S	44410867
Printed Circuit Board		44410869

## HYDRAULIC PUMPS

Item	Description	Part No.
Hydraulic Pump	RH A7VO55LRH	44410763
Hydraulic Pump	211.09.01.03 A2FO10/61 L-PZB 06	44410765
Hydraulic Pump	A2FO 12/16L-PZB 06	44410767
Hydraulic Pump	211.12.01.10 A2FM 28/61W-PZB04	44410769
Hydraulic Pump	A4FO 28(RH)	44410771
Hydraulic Pump		44410773
Hydraulic Pump	A7VO55DRG	44410775
Hydraulic Pump	A7VO80LRH 1/63 (LH)	44410777
Hydraulic Pump	A7VO107 (LH)	44410779
Hydraulic Pump	31+31+11	44410961
Hydraulic Pump	A2FO23R	44410963
Hydraulic Pump	A2FO32R	44410965
Hydraulic Pump	A4FO22R	44410967
Hydraulic Pump	A11VO60DRS	44410969
Hydraulic Pump	A11VO95DRS	44410971
Hydraulic Pump	A11V040 DRS/10R	44410973
Hydraulic Pump	A11V0130LRDH1	44410975
Hydraulic Pump	A11VLO190LRD H1/11R-NSD12K04	44410978



SCHWING





**[WWW.PREMIER-PIPELINE.CO.UK](http://WWW.PREMIER-PIPELINE.CO.UK)**



**FULL AUTOMATIC  
ROBOT WELDING**



**P** **PREMIER**  
**PIPELINE** LTD  
INNOVATION, SAFETY AND SERVICE

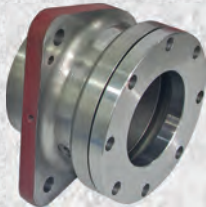


QUALITY AFTERMARKET SPARE PARTS  
TO FIT PRODUCTS FROM

**CIFA**

[WWW.PREMIER-PIPELINE.CO.UK](http://WWW.PREMIER-PIPELINE.CO.UK)





## S -TUBE & WEAR PLATES

Item	Description	Part No.
S- Tube		44430001
S- Tube		44430301
Shaft For HPGK3		44430303
Wear Bush		44430003
Support		44430005
Support Bushing		44430007
Bushing		44430009
Ring		44430011
Flange		44430013
Lever		44430015
Lever		44430305
Spacer		44430017
Flange		44430019
Bearing		44430021
Spacer		44430023
Safety Ring		44430025
Key		44430027
Key		44430029
Ring Nut		44430031
Collar		44430033
Collar		44430307
Half Flange		44430309
Half Flange		44430311
Compensation Ring		44430035
Rear Support		44430313
Spacer		44430315
Bronze Bushing		44430317
Bushing		44430319
Rear Cover		44430321
Wear Ring	S8 G70	44430037
Wear Ring	S8 Chrome	44430039
Wear Ring	DN 230 S9	44430281
Wear Plate	DN 200	44430041
Wear Plate	DN 200	44430043
Wear Plate	DN 230 S9	44430279



## REAR HOUSING ASSEMBLY

Item	Description	Part No.
Cover		44430045
Gasket		44430047
Bearing Washer		44430049
Support		44430051
Junk Ring		44430053
Spacing Ring		44430055
Bronze Bushing		44430057
Seal Support		44430059
Gasket		44430061
Ring		44430063
Gasket		44430065
Connection		44430067
Cover		44430069
Gasket		44430071
Seal Ring		44430073
Rear Support		44430075
Cover		44430077
Gasket		44430079
Bearing		44430081
Seal Supporting		44430083
Bearing		44430085
Cover		44430087
Roller		44430393
Wear Ring		44501944
Wear Plate		44501946







### HOPPER MIXER PARTS & ACCS.

Item	Description	Part No.
Geared Motor		44430275
Flange		44430105
Wear Ring		44430107
Gasket		44430109
Cover		44430111
Shaft		44430113
Flange		44430115
Shaft		44430117
Bearing Support		44430119
Support Shaft		44430323
Spacer		44430325
Spacer		44430327
Plate		44430329
Cover		44430331
Mixer Shaft		44430121
Mixer Paddle		44430123
Hydraulic Cylinder	40x20x95	44430333
Shutter S8		44430271
Gasket For Shutter s8		44430273



### DELIVERY /MATERIAL CYLINDER

Item	Description	Part No.
Pumping Cylinder	200x1692	44430125
Pumping Cylinder	176x1673	44430127
Pumping Cylinder	230x2200	44430129
Pumping Cylinder	230x1700	44430131
Pumping Cylinder	230X2215	44430335



## MAIN PUMPING CYLINDERS

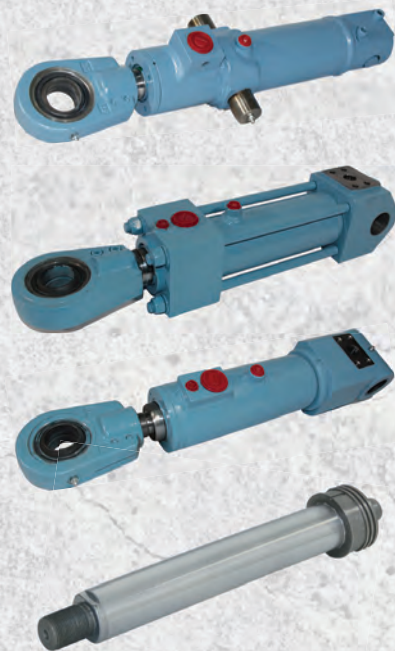
Item	Description	Part No.
Hydraulic Cylinder	120x80x2000	44430133
Hydraulic Cylinder	120x80x2000	44430153
Hydraulic Cylinder	120x80x2000	44430169
Hydraulic Cylinder	115x70x1500	44430187
Hydraulic Cylinder	115x70x1500	44430207
Body With Guide Bush	120x80x2000	44430135
Body With Guide Bush	120x145x2096	44430155
Body With Guide Bush	120x145x2117	44430171
Body With Guide Bush	115x140x1610	44430209
Pumping Cylinder Rod	80x2320	44430137
Pumping Cylinder Rod	80x2380	44430157
Pumping Cylinder Rod	80x2395	44430173
Pumping Cylinder Rod	70x1880	44430191

## RUBBER PISTONS

Item	Description	Part No.
Delivery Piston	D230mm	44430245
Delivery Piston	D200mm	44430247
Delivery Piston	D180mm	44430337

## HOPPER HYDRAULIC CYLINDER & ACCS.

Item	Description	Part No.
Rotation Cylinder	80x55x218	44430227
Rotation Cylinder		44430339
Rotation Cylinder	80x45x205	44430341
Cylinder Barrel	80x95x270	44430229
Cylinder Barrel	80x56x218	44430343
Rod	55x430	44430231
Rod	56x422	44430345
Rod	45x418	44430347
Seal Set		44430225
Seal Set		44430243
Seal Set		44430349
Cylinder Support		44430089
Bronze Bushing		44430091
Pin		44430093
Pin		44430095
Spacer		44430097
Plate		44430351
Shock Absorb Bracket		44430099
Shock Absorber		44430101
Shock Absorb Tie Rod		44430103







### DELIVERY ELBOW

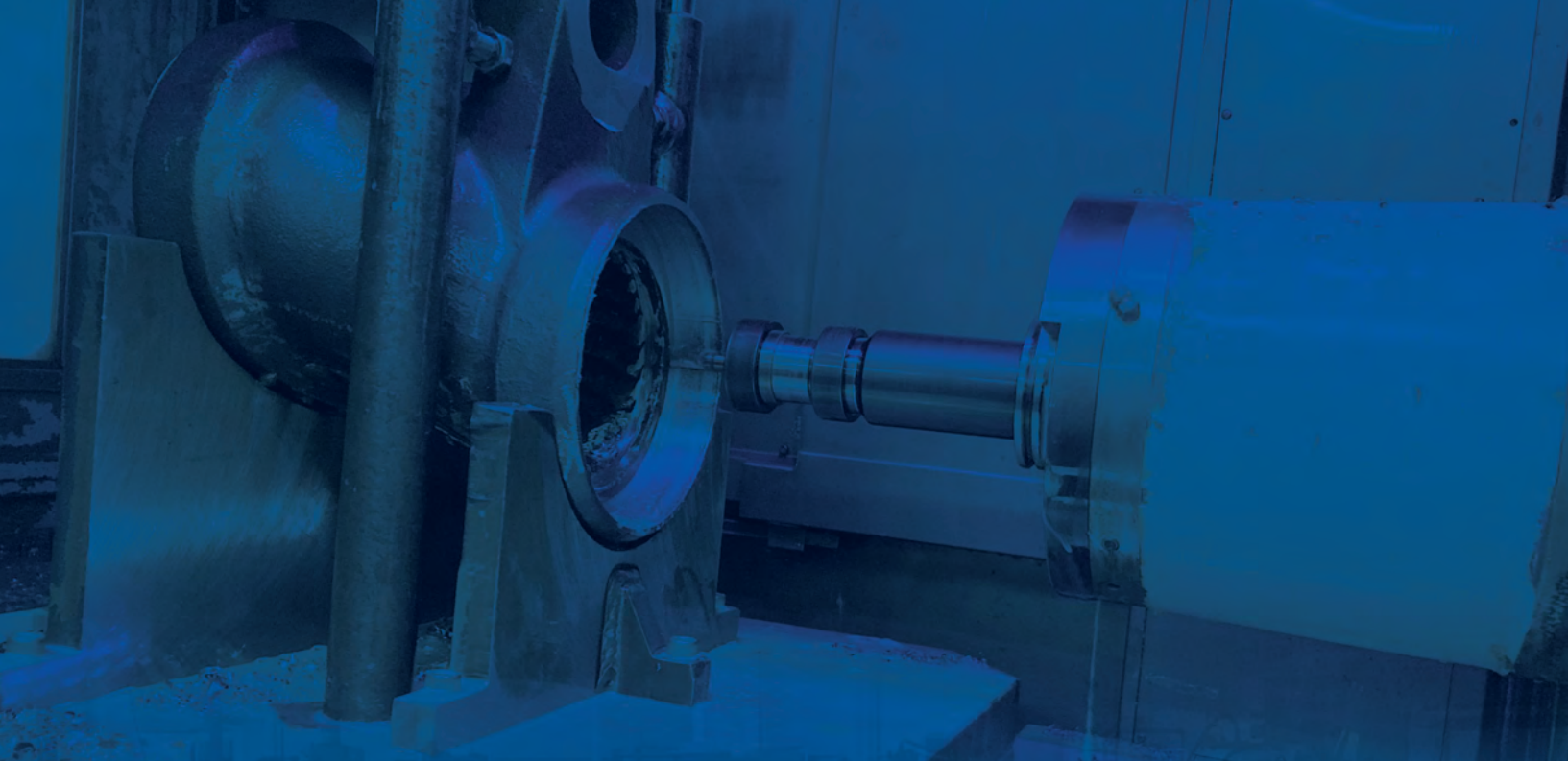
Item	Description	Part No.
Reduction Elbow		44430243
Delivery Elbow		44430251
Delivery Elbow	90 Deg.5,5" R240/220	44430353
Delivery Elbow	90 Deg. R190	44430261
Delivery Elbow	60 Deg. 5"	44430263
Delivery Elbow	90 Deg.5,5" R190.5	44430283
Reduction Elbow	7" -6" S3000	44430285
Delivery Elbow	36 Deg. 5" R240	44430355
Delivery Elbow	42 Deg. 5"	44430357
2nd Elbow	6"	44430287
Delivery Elbow	60 Deg.	44430289
Reduction Elbow	7"- 6" S3000 New	44430291
Delivery Elbow	30 Deg.5,5"	44430295
Delivery Elbow	90 Deg. R240 Long Life Pipe	44430359
Delivery Elbow	15 Deg. R237 Long Life Pipe	44430361
Reducing pipe	6" -5" 1287mm	44430253
Reducing pipe	6"- 5" 1290mm	44430293

### CLAMPS

Item	Description	Part No.
Lever Coupling	7"	44430255
Lever Coupling	6,5"	44430257
Clamp	5"	44430259







**[WWW.PREMIER-PIPELINE.CO.UK](http://WWW.PREMIER-PIPELINE.CO.UK)**







[WWW.PREMIER-PIPELINE.CO.UK](http://WWW.PREMIER-PIPELINE.CO.UK)





# 4

**P** **PREMIER**  
**PIPELINE** **LTD**  
INNOVATION, SAFETY AND SERVICE



QUALITY AFTERMARKET SPARE PARTS  
TO FIT PRODUCTS FROM

**SERMAC**

[WWW.PREMIER-PIPELINE.CO.UK](http://WWW.PREMIER-PIPELINE.CO.UK)





## S-TUBE & WEAR PLATES

Item	Description	Part No.
S-Tube		44440001
Valve Control Fork		44440007
Cover		44440029
Bushing		44440031
Support		44440027
Felt Ring		44440033
Gasket		44440035
Ring		44440037
Wear Plate	Steel Casting	44440003
Wear Plate	DURO22 Hard Face Welded	44440005
Wear ring	Steel Casting	44440015
Wear ring	DURO22 Hard Face Welded	44440017
Ring		44440025
Union	Hardface Welded	44440023
Sector		44440101
Ring		44440211
Ring Coupling		44440021
Ring		44440019
Safety Washer		44440067
Ring Nut		44440065

## HOUSING PARTS

Item	Description	Part No.
Flanged Sleeve		44440013
Flange		44440039
Main Body		44440009
Bushing		44440047
Bushing		44440041
Bushing		44440045
Coupling		44440061
Ring		44440051
Seal Ring		44440049
Gasket		44440043
Ring		44440053
Seal		44440055
Cover		44440011



## CYLINDER & ACCS.

Item	Description	Part No.
Rotation Cylinder		44440069
Rotation Cylinder		44440201
Cylinder Tube		44440203
Piston Rod		44440205
Rod Eye		44440207
Seal Set		44440209
Pin		44440057
Pin		44440059



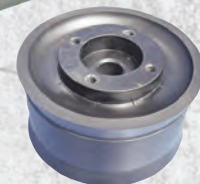
## MAIN PUMPING CYLINDERS

Item	Description	Part No.
Hydraulic Cylinder	125x80	44440073
Hydraulic Cylinder	140x90	44442075
Cylinder Tube	150x125x2090	44440075
Piston Rod	80x2368	44440077
Piston	123,7xm55x2x89	44440079
Guide Bush	127x82x126	44440081
Seal set		44440063
Seal set		44440071

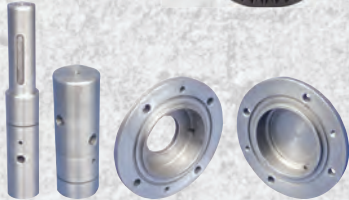


## PUMPING CYLINDER& PISTON RAM

Item	Description	Part No.
Pumping Cylinder	230x2160	44440093
Piston Ram	D230mm	44440095
Connector		44440097
Coupling		44440099



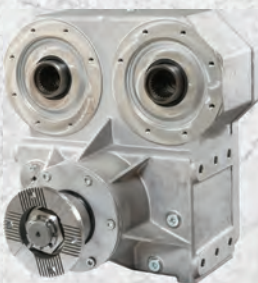




### HOPPER MIXER PARTS & ACCS.

Item	Description	Part No.
Hopper		44440121
Grill		44440123
Reduction Unit		44440143
Housing		44440145
Hollow Shaft		44440147
Gear	Z53	44440149
Gear	Z31	44440151
Gear	Z10	44440153
Gear	Z10	44440155
Mixing Shaft		44440125
Mixing Paddle		44440141
Drive Pin		44440127
Drive Pin		44440129
Flange Support		44440131
Inside Flange		44440133
Gasket		44440135
Wear Ring		44440137
Support		44440139
Automatic Greasing Device		44440103
Automatic Grease Cup		44440105
Distributor		44440107
Bearing		44440173

SERMAC



### DIST. GEAR BOX & ACCS.

Item	Description	Part No.
Distributor Gear Box		44440213
Switch Fork		44440111
Sliding Clutch		44440113
Spur Whells		44440115
Coupling Piece		44440117
Bearing		44440119



## WATER PUMP, ELECTRICAL PARTS, VALVES, FILTERS

Item	Description	Part No.
Water Pump Kappa 75		44440157
Water Pump Kappa	Oem Type	44440159
Seal Set For Water Pump		44440163
Seal Set For Water Pump		44440165
Hydraulic Motor		44440167
Hydraulic Motor		44440161
Atos Valve Set		44440171
Valve		44440175
Valve		44440179
Control Block		44440091
Electric Cards		44440083
Complete Electric Box		44440085
Radio Control Battery		44440087
Electric Socked & Cards		44440089
Filter Elment		44440181
Filter Elment		44440183
Filter Elment		44440185
Filter Elment		44440187



## DELIVERY ELBOW& COUPLING

Item	Description	Part No.
Delivery Elbow		44440189
Delivery Elbow		44440191
Delivery Elbow	35 Deg.	44440197
Reduced Pipe	Old Model	44440193
Reduced Pipe	New Model	44440215
Lever Coupling		44440217
Lever Coupling		44440195







[WWW.PREMIER-PIPELINE.CO.UK](http://WWW.PREMIER-PIPELINE.CO.UK)





**P** **PREMIER**  
**PIPELINE LTD**  
INNOVATION, SAFETY AND SERVICE



QUALITY AFTERMARKET SPARE PARTS  
FOR

**TRUCKMIXERS**

[WWW.PREMIER-PIPELINE.CO.UK](http://WWW.PREMIER-PIPELINE.CO.UK)





**WATER PUMP & ACCS.**

Item	Description	Part No.
Water Pump	Gear Type NSTIII	44450001
Water Pump	Shaft Type	44450003
Water Pump	W/Double BRG L&T Type C30	44445005
Water Pump	I30 Shaft Type	44450031
Water Pump	Gear Type 1-25 E Cifa	44450033
Water Pump	Alpha Type	44450035
Impeller		44450007
Impeller		44450009
Impeller		44450011
Impeller		44450037
Impeller		44450039
Impeller		44450041
Pully		44450021
Pully		44450053
Pully		44450055
Impeller Shaft		44450013
Impeller Shaft		44450015
Impeller Shaft		44450017
Impeller Shaft		44450043
Impeller Shaft		44450045
Impeller Shaft		44450047
Seal set		44450019
Seal set		44450023
Seal set		44450049
Seal set		44450051
Gear		44450025
Gear		44450027
Plastic Coupling		44450029
Plastic Coupling		44450057
Plastic Coupling		44450059



## CONTROL BOX & ACCS.

Item	Description	Part No.
Control Box	Double Lever	44450061
Control Box	Double Lever LIEBHEER Type Long Lever	44450061-L
Control Box	Single Lever	44450063
Control Box	Single Lever LIEBHEER Type Long Lever	44450063-L
Control Box	IMI Double Rack Lever 70/70 MF	44450561
Control Box	IMI Single Rack Lever 70 MF	44450563
Single Control Box Tooth Rack		44450064
Handle For Single Control Box		44450565

## CABLES

Item	Description	Part No.
Cable	5 MT Control Gas Cable V8	44450065
Cable	5,5 MT Control Gas Cable V8	44450067
Cable	6 MT Control Gas Cable V8	44450069
Cable	6,5 MT Control Gas Cable V8	44450071
Cable	7 MT Control Gas Cable V8	44450073
Cable	7,2 MT Control Gas Cable V8	44450075
Cable	7,5 MT Control Gas Cable V8	44450077
Cable	7,7 MT Control Gas Cable V8	44450079
Cable	8 MT Control Gas Cable V8	44450081
Cable	8,5 MT Control Gas Cable V8	44450083
Cable	9 MT Control Gas Cable V8	44450085
Cable	10 MT Control Gas Cable V8	44450087
Cable	12 MT Control Gas Cable V8	44450089
Operation Cable	7,3 MT Operation Cable	44455081
Operation Cable	7,5 MT Operation Cable	44455083
Operation Cable	5,6 MT Operation Cable	44455085
Operation Cable	5,4 MT Operation Cable	44455087
Operation Cable	7,1 MT Operation Cable	44455089
Operation Cable	6 MT Operation Cable	44455091
Operation Cable	7,3 MT Operation Cable	44455093
Operation Cable	7,8 MT Operation Cable	44455095
Operation Cable	9,2 MT Operation Cable	44455097







## ROLLER & ACCS.

Item	Description	Part No.
Roller Complete	280x110x90 9M3 Dia 35mm	44450065
Roller Complete	280x160x90 Dia 50mm	44450093
Roller Complete	220x110x90 Dia 35mm	44450095
Roller Complete	250x160x110 Dia 50mm	44450097
Roller Complete	250x130x120 Dia 40mm	44450099
Roller Complete	250x110x90 Dia 35mm	44450101
Roller Complete	280x160x110 Dia 50mm	44450103
Roller Complete	200x110x105 Dia 35mm	44450105
Roller Complete	245x130x120 Dia 40mm	44450107
Roller Complete	200X160X110 Dia 50mm	44450239AS
Roller Complete	280x110x110 Dia 35mm	44450401
Roller Complete	250x160x100 Dia 50mm	44450405
Roller Complete	280X160X110 Dia 50mm	44450409
Roller Complete	254x104x102 9M3 Karrena	44450413
Roller Complete	260x110x90 Dia 50mm	44450465
Roller External	280x110x90	44450109
Roller External	280x160x90	44450111
Roller External	220x110x90	44450113
Roller External	250x160x110	44450115
Roller External	250x130x120	44450117
Roller External	250x110x90	44450119
Roller External	280x160x110	44450121
Roller External	200x110x105	44450123
Roller External	245x130x120	44450125
Roller External	200x160x110	44450239
Roller External	280x110x110	44450403
Roller External	250x160x100	44450407
Roller External	280x160x110	44450411
Roller External	254x104x102	44450415
Roller External	200x110x100	44450419
Roller External	250x130x92	44450423
Roller External	250x130x110	44450427
Roller External	250x160x90	44450431
Roller External	200x160x90	44450435
Bush Set	DN 110	44450131
Bush Set	DN 130	44450127
Bush Set	DN 160	44450129
Cover	DN 110	44450133
Cover	DN 130	44450137
Cover	DN 160	44450135
Roller Seal	DN 130	44450139



## CHUTE HANDLES

Item	Description	Part No.
Chute Hydraulic Complete		44450141
Hose	3/8 R2 AT	44450142
Tank 1 Lt Alimimum		44450143
Tank 1 Lt Plastic		44450145
Hydraulic Cylinder For Chute Mixer		44450147
Hydraulic pump		44450149
Chute Handle Mechanic LB		44450153
Chute Handle Mechanic ST		44450155
Chute Handle Mechanic		44450157
Chute Handle Mechanic IMI		44450151
Hydarulic Cylinder Kit		44450147K



## MIXER FAN & PARTS

Item	Description	Part No.
Oil Cooler Complete For Transmixer		44450159
Fan For Oil Cooler		44450161
Fan For Oil Cooler 4 Wings		44450163
Fan For Oil Cooler 3 Wings		44450165
Filter Complete		44450167
Filter Main Body		44450169
Filter Cartridge		44450171
Filter Cap		44450173
Mixer Oil Cooler Filter		44450175
Cifa Filter		44450177



## MIXER GEARBOX, HYDRAULIC PUMP

Item	Description	Part No.
PM70 Model Gearbox		44450181
PM80 Model Gearbox	12 WP Max:12m3	44450183
SPV23 Hydraulic Pump	SPV 23 MHRDBC18C1000 -23 TEETH (CW)	44450185
SMP23 Hydraulic Motor		44450187
Hydarulic Pump	A4VTG71	44450489
Hydarulic Pump	A4VGT90HW/32R-NLF10F001S	44450491
SPV23 Repair Kit		44450189
SMP23 Repair Kit		44450191







## TRUCK MIXER SPARE PARTS & ACCS.

Item	Description	Part No.
V Chute		44450193
Filling Chute		44450195
Discharge Chute		44450197
Chute Short		44450199
Extension Chute		44450201
Chute Holder		44450203
Fiber For Chutes		44450205
Seal For V Chute		44450207
Balance Ball		44450209
Bearing	FAG	44450211
Bearing	FAG	44450213
Bearing	FAG	44450215
Bearing	FAG	44450217
Mixer Felt	113x150x12/13,5	44450219
Mixer Felt	110x160x13/49	44450221
Mixer Felt	125x180x13/49	44450223
Mixer Felt	145X215X14/65	44450225
Roller Bearing	Dia 110	44450227
Roller Bearing	Dia 160	44450229
Roller Bearing	Dia 130	44450231
Water Meter	500 Lt	44450233
Water Meter	500 Lt Batching Plant Electric	44450234
Water Meter	1000 Lt	44450235
Coupling		44450237
Extension Chute Step		44450477
Chute Lock		44450479
Plastic Roller Cover		44450481
U Bolts	125/240 M20	44450483-1
U Bolts	7M3 90x230 M20	44450483-2
U Bolts	115/175 M20X1,5	44450483-3
Coupling	SPV23 -23 Teeth	44450485
Coupling	SPV23 -21 Teeth	44450487
Mixer Start-Stop Switch		44450493
Switch 3 Way		44450495
Switch 4 Way		44450497
Mixer Electric Control Box		44450499

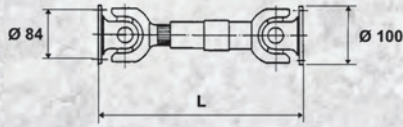


**TRUCK MIXER SPARE PARTS & ACCS.**

Item	Description	Part No.
Water Tank	600 LT Q750mm	44450522
Cooler Fan Zf Plm		44450504
Cooler Fan Asa		44450506
Hyd.motor Rextroth		44450510
Bearing For Bonfiglioli		44450500
Water Pressure Kit For Water Tank		44450524
Hyd.filter For Zf Plm		44450508
Remote Station Liebheer		44450516
Cable Remote Control For Cifa Mixer		44450502
Liebheer Reduction Valve		44450512
Safety Valve	3/8" 5 BAR	44450518
Safety Valve	1 1/2" 5 BAR	44450520
Relay Valve ZF Plm		44450514







## PROPELLER SHAFT

Item	Description	Part No.
Propeller Shaft	217mm 6 Holes	44450501
Propeller Shaft	255mm 6 Holes	44450503
Propeller Shaft	310mm 6 Holes	44450505
Propeller Shaft	375mm 6 Holes	44450507
Propeller Shaft	410mm 6 Holes	44450509
Propeller Shaft	420mm 6 Holes	44450511
Propeller Shaft	435mm 6 Holes	44450513
Propeller Shaft	450mm 6 Holes	44450515
Propeller Shaft	470mm 6 Holes	44450517
Propeller Shaft	550mm 6 Holes	44450519
Propeller Shaft	600mm 6 Holes	44450521
Propeller Shaft	650mm 6 Holes	44450523
Propeller Shaft	700mm 6 Holes	44450525
Propeller Shaft	800mm 6 Holes	44450527
Propeller Shaft	850mm 6 Holes	44450529
Propeller Shaft	900mm 6 Holes	44450531
Propeller Shaft	1000mm 6 Holes	44450533
Propeller Shaft	1100mm 6 Holes	44450535



DIESEL TYPE



ELECTRIC TYPE

## CEMENT TRUCK COMPRESSORS

### STANDARD FEATURES

- High efficient special developed direct coupled system for pneumatic transportation.
- 3.0 bar maximum discharge pressure.
- Two different air flow choice with two motor powers: 18,5 kw or 22 kw.
- 4 cylinder diesel engine use as standard.
- Nodular cast iron made, special grinding crank.
- Vibration free work by special balanced crank.
- GG 22 cast iron made crank case.
- GG 26 cast iron made cylinder and cylinder head.
- Special developed valve system.
- Oiled Air Suction Filter.
- CE marked protective visor.
- Special alloyed aluminium piston.
- Special designed safety valve.
- Manometer for outlet pressure.
- Factory oil fill.
- Oil level indicator.
- Needle roller bearing system.
- Crank coupled high efficient cooling system.
- Star-Delta control panel.
- After cooler.

Part No.	MODEL	AIR FLOW (lt/min)	STAGE NUMBER	ROTATION SPEED (rpm)	PRES-SURE (bar)	POWER		PISTON DIAMETER (mm)	STROKE (mm)	WEIGHT (kg)
						kw	Hp			
4447002	SB 3-160	7.200	1	1.500	2,5/3,5	18,5	25	3x160	80	480
4447003	SB 2-220	10.200	1	1.500	2,5/3,5	22	30	2x220	90	500
4447001	SB 3-160 DIESEL	7.200	1	1.500	2,5/3,5	80 HP		3x160	80	760
4447005	SB 2-220 DIESEL	10.200	1	1.500	2,5/3,5	80 HP		2x220	90	800

Air flows mentioned according to ISO 1217 standard at 20° C ambient temperature and 1 bar inlet pressure. Air flow Tolerance: +/- 6%





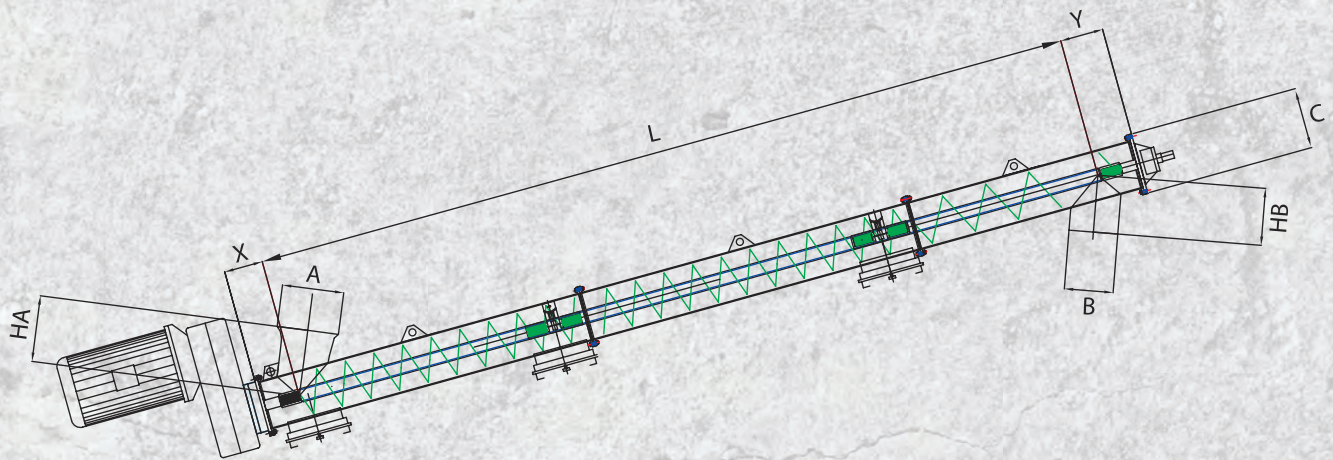
QUALITY AFTERMARKET SPARE PARTS  
FOR

# BATCHING PLANTS

[WWW.PREMIER-PIPELINE.CO.UK](http://WWW.PREMIER-PIPELINE.CO.UK)



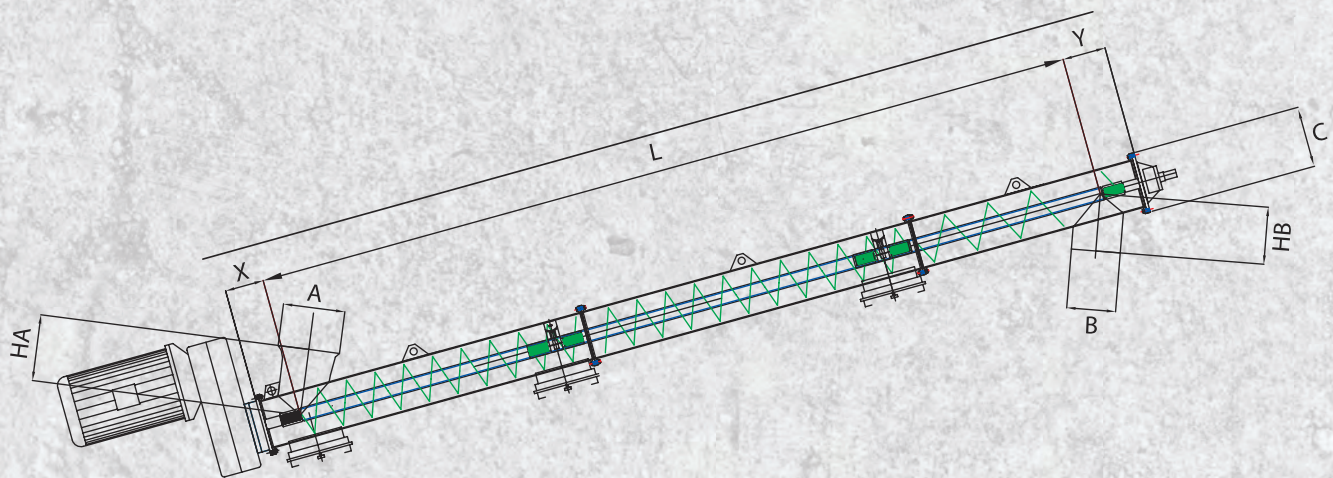
# ESCR-SCR SCREW CONVEYOR



	4446001	4446003	4446005	4446007	4446009	4446011	4446013
Ø D	114 mm	139 mm	168 mm	193 mm	219 mm	273 mm	323 mm
X mm	140	140	185	200	200	235	260
Y mm	120	120	165	180	180	215	240
C mm	190	190	250	250	275	330	405



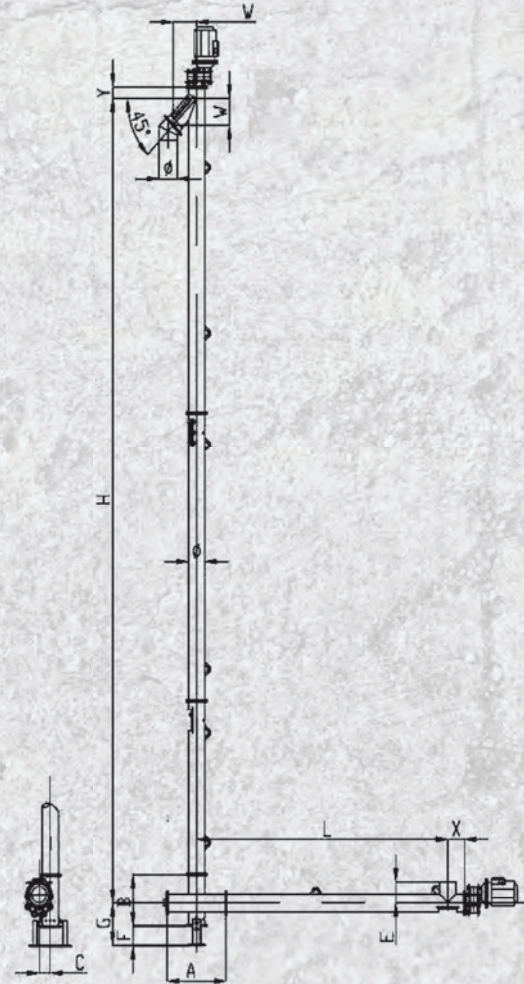
# ESCR SCREW CONVEYOR



	44460015	44460017	44460019	44460021	44460023	44460025	44460027
Ø D	114 mm	139 mm	168 mm	193 mm	219 mm	273 mm	323 mm
X mm	140	140	185	200	200	235	260
Y mm	120	120	165	180	180	215	240
C mm	190	190	250	250	275	330	405



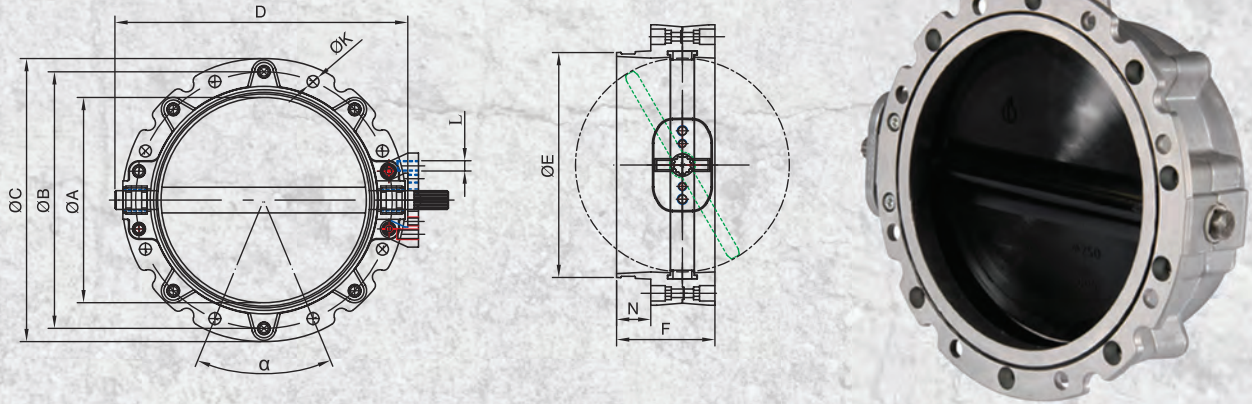
## ESCV VERTICAL CONVEYOR



	44460029	44460031	44460033	44460035	44460035
TYPE	Ø 168 mm	Ø 193 mm	Ø 219 mm	Ø 273 mm	Ø 323 mm
X mm	185	200	200	235	260
Y mm	165	180	180	215	240
A mm	700	700	700	700	700
B mm	540	540	540	540	540
C mm	120	130	150	165	220
W mm	285	285	355	355	355
E mm	160	175	190	215	240

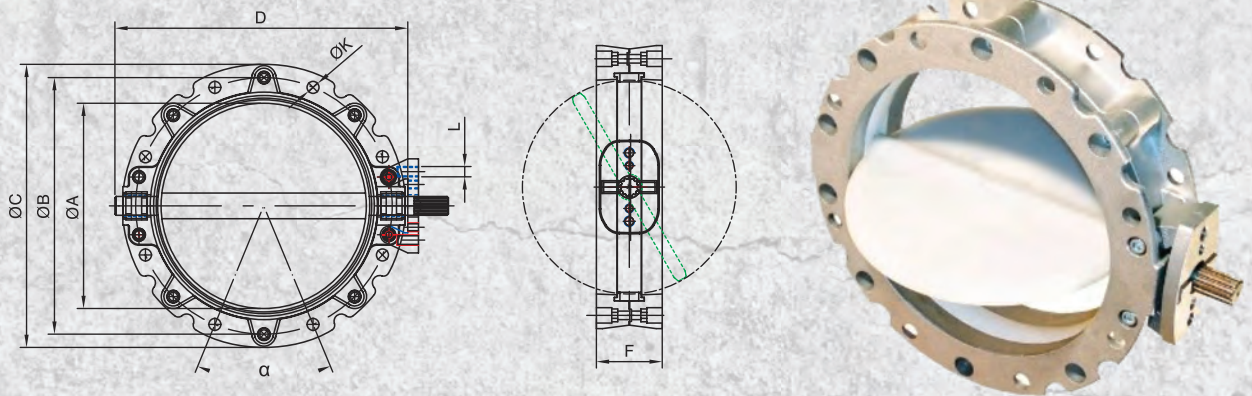


## BUTTERFLY VALVES / SINGLE FLANGE



	Tip Type	ØA	ØB	ØC	ØD	ØE	F	H	ØK	L	α	Z	Ağırlık Weight
44460037	BV1F100	100	180	214	215	105	115	38	14	M12	90°	4	4,2kg
44460039	BV1F150	150	200	225	250	163	115	40	14	M12	90°	4	4,4kg
44460041	BV1F200	200	250	278	302	213	115	40	14	M12	90°	4	5,8kg
44460043	BV1F250	250	300	328	352	263	115	40	14	M12	45°	8	7,6kg
44460055	BV1F300	300	350	378	402	313	115	40	14	M12	45°	8	9,8kg
44460047	BV1F350	350	400	436	465	363	124	38	14	M12	45°	8	17,2kg
44460049	BV1F400	400	470	506	530	413	124	38	14	M12	45°	8	22,0kg

## BUTTERFLY VALVES / DOUBLE FLANGE

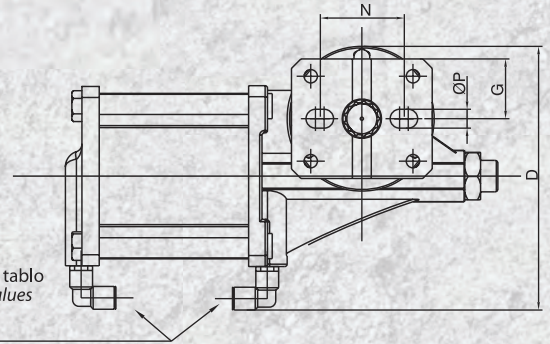
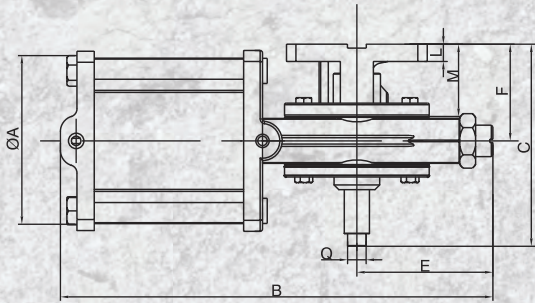


	Tip Type	ØA	ØB	ØC	ØD	F	ØK	L	α	Z	Ağırlık Weight
44460051	BV2F100	100	180	214	215	77	14	M12	90°	4	4,2kg
44460053	BV2F150	150	200	225	250	77	14	M12	90°	4	4,4kg
44460055	BV2F200	200	250	278	302	77	14	M12	90°	4	5,6kg
44460057	BV2F250	250	300	328	352	77	14	M12	45°	8	7,3kg
44460059	BV2F300	300	350	378	402	77	14	M12	45°	8	9,2kg
44460061	BV2F350	350	400	436	465	86	14	M12	45°	8	16,8kg
44460063	BV2F400	400	470	506	530	86	14	M12	45°	8	21,8kg



## PNEUMATIC ACTUATORS /

FOR BUTTERFLY VALVES 100-300 mm DIAMETER

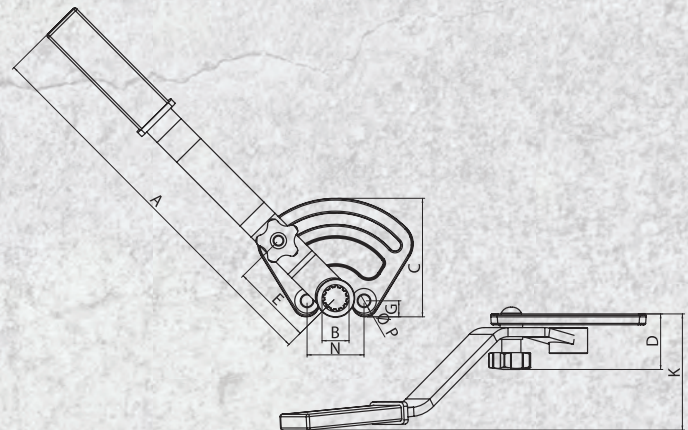
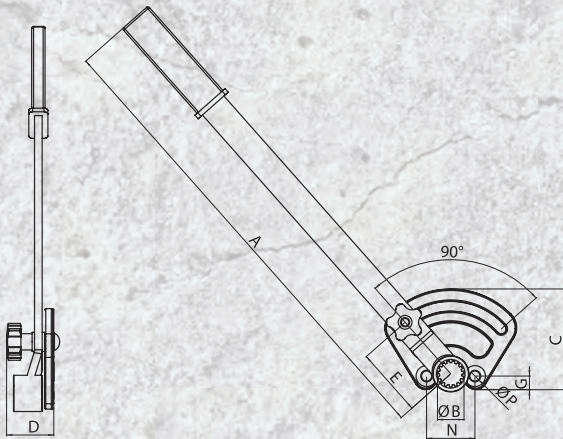


Tork değerleri için bkz. tablo  
See table for torque values

	Tip Type	ØA	B	C	D	E	F	G	ØH DIN 5482	L	M	N	ØP	Q	Civata Bolt Ø	Delik Hole Ø	Hava Tüketimi Air Cons.	Kg
<b>44460065</b>	ACP13	106	275	130	165	86	61,5	61,5	22x19	11	46	50	12	12	1/8"	8x6	4,4 (x2)	4,2

## MANUEL ACTUATORS /

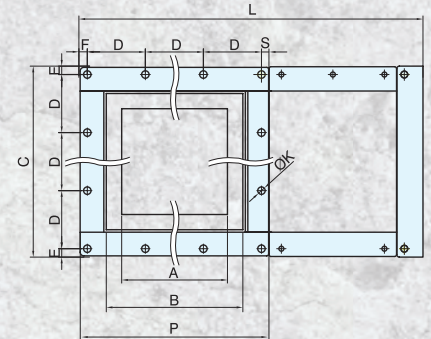
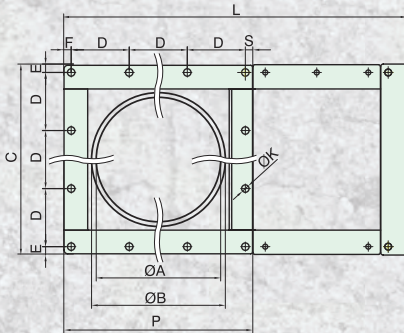
FOR BUTTERFLY VALVES



	Tip Type	A	B	C	D	E	G	N	P	K	kg
<b>44460067</b>	ACM13	345	22x19	50	51	50,4	14	50	10,5	110	1,2
<b>44460069</b>	ACM34	500	28x25	105	55	72	14	50	10,5	2,2	



## SLIDE VALVES



	Tip Type	A	B	C	D	E	F	ØK	L	H	P	S
44460071	SVQ 150	125	175	261	115	13,5	13,5	12	453	100	261	15,5
44460073	SVQ 200	175	225	311	93,3	13,5	13,5	12	553	100	311	14,1
44460075	SVQ 250	225	275	361	110	15,5	15,5	12	650	100	361	15,5
44460077	SVQ 300	275	325	416	128,3	23	23	12	759	100	413	15,1
44460079	SVQ 350	325	375	475	89	15	15	12	903	115	475	18
44460081	SVQ 400	400	415	531	100	13,5	13,5	12	903	115	531	15,5

ROUND SECTION SLIDE VALVES

	Tip Type	ØA	ØB	C	D	E	F	ØK	L	H	P	S
44460083	SVC 150	150	165	261	115	13,5	13,5	12	453	100	261	15,5
44460085	SVC 200	200	215	311	93,3	13,5	13,5	12	553	100	311	14,1
44460087	SVC 250	250	265	361	110	15,5	15,5	12	650	100	361	15,5
44460089	SVC 300	300	315	416	128,3	15,6	23	12	759	100	413	15,1
44460091	SVC 350	350	365	475	89	15	15	12	903	115	475	18
44460093	SVC 400	400	415	531	100	13,5	13,5	12	993	115	531	15,5

SQUIRE SECTION SLIDE VALVES

## ACTUATORS FOR SLIDE VALVES

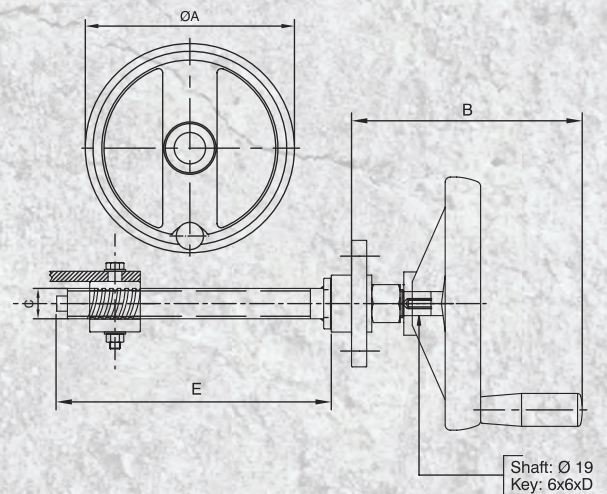
MANUAL ACTUATOR FOR SLIDE VALVE



AIR CYLINDER FOR SLIDE VALVES



	Tip Type	ØA	B	C	D	E	kg
44460095	ACMS150	200	180	TPN 25X5 UNIM 124	20	215	2,0
44460097	ACMS200	200	180	TPN 25X5 UNIM 124	20	265	2,4
44460099	ACMS250	200	180	TPN 25X5 UNIM 124	20	310	2,8
44460101	ACMS300	200	180	TPN 25X5 UNIM 124	20	365	3,0
44460103	ACMS350	250	220	TPN 36X5 UNIM 124	32	430	5,2
44460105	ACMS400	250	220	TPN 36X5 UNIM 124	32	480	5,8







## OTHER ACCESSORIES

Item	Description	Part No.
Batch Control Meters		44460125
Butterfly Valve Actuator		44460127
Pneumatic Actuator Micro Switch		44460129
Aeration Airbrator		44460131
Aeration Airbrator 2 Wam		44460133
Aeration Pad		44460135
Pinch Valve Q220xQ180x 298mm		44460137
Pinch Valve Control Board 205x		44460139
Round Body Filters		44460141
Polygonal Body Filters		44460143
Cne Type Bin Activator		44460145
Rotary Valves		44460147
Loading Bellows		44460149
Dust Suppressing Systems		44460151
Micro Dosing Units		44460153
Hanger Bearing		44460155
SCIB.P Hanger Bearing		44460157
Pressure Relief Valve		44460159
HBR Type Gear Box		44460161
Stuffing Box (Seal)		44460163
Vibrator		44460165
HBRD Type Gear Box		44460167
Electric Motors		44460169
End Bearing		44460171





Quality  
**SPARE PARTS**

**[WWW.PREMIER-PIPELINE.CO.UK](http://WWW.PREMIER-PIPELINE.CO.UK)**



## NOTES

A series of horizontal dotted lines for writing notes.









**Premier Pipeline Ltd.**  
Howe Lane, White Waltham  
Maidenhead, Berkshire, SL6 3JP

**Tel: +44 (0)1189 343 999**

**[www.premier-pipeline.co.uk](http://www.premier-pipeline.co.uk)**  
**[sales@cps-pipeline.co.uk](mailto:sales@cps-pipeline.co.uk)**

**QMS<sup>®</sup>**

ISO 9001 : 2015  
ISO 14001 : 2015  
ISO 45001 : 2018  
REGISTERED

Certificate No:407742022